



North America Limited

**PRACTICAL USER'S GUIDE  
FOR THE CORNER WALL MOUNTED  
ELECTRIC FIREPLACE**

**MODEL NUMBER:**

**EWMC-CC-SS**

Quality checked by:

*Valued Customer,*

*We are pleased that you have chosen to purchase an electric fireplace  
manufactured by Dimplex North America Limited.*

# **CONTENTS**

<b>PAGE 1</b>	<b>Important Instructions</b>
<b>PAGE 2</b>	<b>Model and Serial Number Information</b>
<b>PAGE 3</b>	<b>Wall Mount Installation</b>
<b>PAGE 8</b>	<b>Operation</b>
<b>PAGE 10</b>	<b>Maintenance</b>
<b>PAGE 12</b>	<b>Warranty</b>

## **QUICK REFERENCE GUIDE FOR THE ELECTRIC CORNER WALL MOUNT FIREPLACE**

- 1. Before using the electric corner wall mounted fireplace verify:**
  - Are the circuit breakers for the unit on?**
  - Are the light bulbs loose? (to check, follow the instructions for replacing the light bulbs under the maintenance section of this manual)**
- 2. The heater may emit a slight, harmless odor when first used. This odor is a normal condition caused by the initial heating of internal heater parts.**
- 3. The information regarding the model of your unit can be found on the rating plate located inside the unit on the top left hand corner above the mirror.**
- 4. If you have any questions or concerns regarding the operation of your fireplace, contact Dimplex customer service at 1-888-DIMPLEX (1-888-346-7539).**

## IMPORTANT INSTRUCTIONS

### SAVE THESE INSTRUCTIONS

### RETAIN THIS USER'S GUIDE FOR FUTURE REFERENCE

When using electrical appliances, basic precautions should always be followed to reduce the risk of fire, electric shock, and injury to persons.

1. Read all instructions before using the corner wall mounted electric fireplace.
2. The heater is hot when in use. To avoid burns, do not let bare skin touch hot surfaces. The trim around the heater outlet becomes hot during heater operation. Keep combustible materials, such as furniture, pillows, bedding, papers, clothes, and curtains at least 3 feet (0.9m) from the front of the unit.
3. Extreme caution is necessary when any heater is used by or near children or invalids and whenever the unit is left operating and unattended.
4. Always unplug the corner wall mounted electric fireplace when not in use.
5. Do not operate with a damaged cord or plug, or if the heater has malfunctioned, or if the wall mounted electric fireplace has been dropped or damaged in any manner. Return heater to authorized service facility for examination, electrical or mechanical adjustment, or repair.
6. Do not use outdoors.
7. The corner wall mounted electric fireplace is not intended for use in bathrooms, laundry areas and similar indoor locations. Never locate heater where it may fall into a bathtub or other water container.
8. Do not run the cord under carpeting. Do not cover cord with throw rugs, runners, or the like. Arrange cord away from traffic area and where it will not be tripped over.
9. To disconnect the unit, turn the controls off, then remove the plug from the outlet.
10. Do not insert or allow foreign objects to enter any ventilation or exhaust opening as this may cause an electric shock or fire, or damage to the heater.
11. To prevent a possible fire, do not block air intake or exhaust in any manner. Do not use on soft surfaces, like a bed, where openings may become blocked.
12. All electrical heaters have hot and arching or sparking parts inside. Do not use in areas where gasoline, paint, or flammable liquids are used or stored or where the unit will be exposed to flammable vapors.
13. Do not modify the corner wall mounted electric fireplace. Use it only as described in this manual. Any other use not recommended by the manufacturer may cause fire, electric shock or injury to persons.
14. To reduce the risk of electric shock, this appliance has a polarized plug (one blade is wider than the other). The plug will fit in a polarized outlet only one way. If the plug does not fit fully in the outlet, reverse the plug. If it still does not fit, contact a qualified electrician to install the proper outlet. Do not change the plug in any way. Avoid the use of an extension cord. Extension cords may overheat and cause a risk of fire. If you must use an extension cord, the cord must be No. 16 AWG minimum size and rated no less than 1875 watts.
15. Do not burn wood or other materials in the corner wall mounted electric fireplace.
16. Do not strike the glass front.
17. Always use a certified electrician should new circuits or outlets be required.
18. Always use properly grounded, fused and polarized outlets.
19. Disconnect all power supply before performing any cleaning, maintenance or relocation of the unit.
20. When transporting or storing the unit and cord, keep in a dry place, free from excessive vibration and store so as to avoid damage.

---

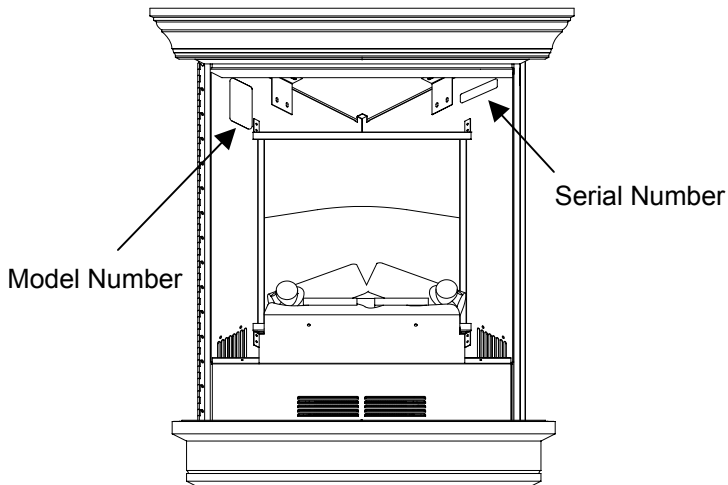
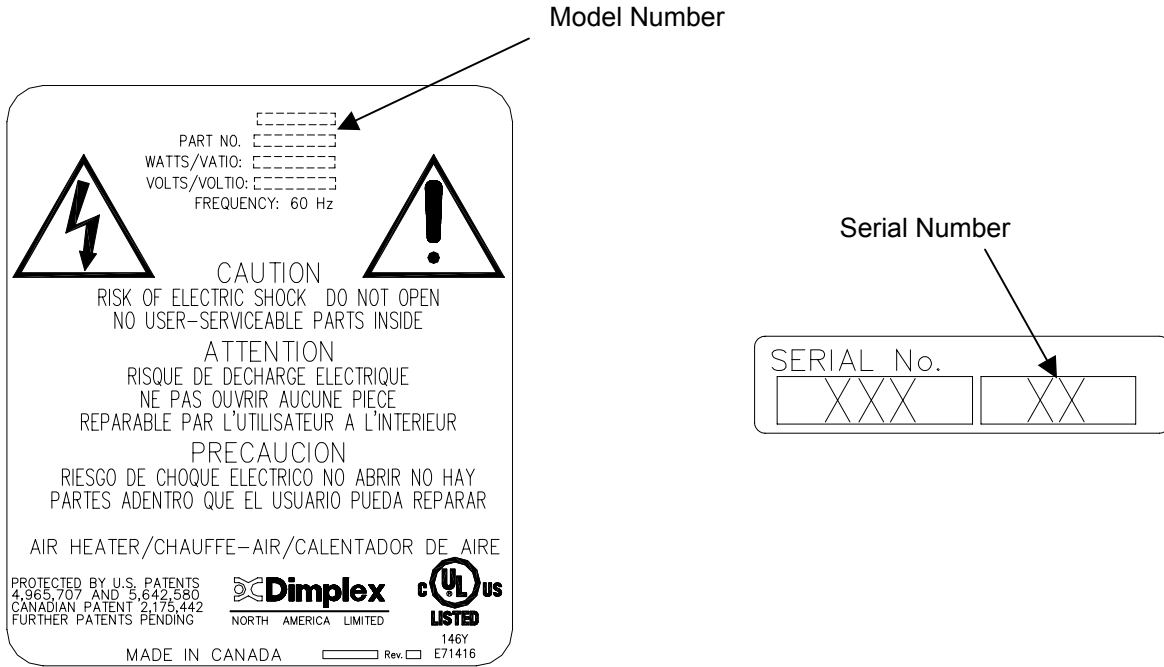
**NOTE:** Procedures and techniques that are considered important enough to emphasize.

**CAUTION:** Procedures and techniques which, if not carefully followed, will result in damage to the equipment.

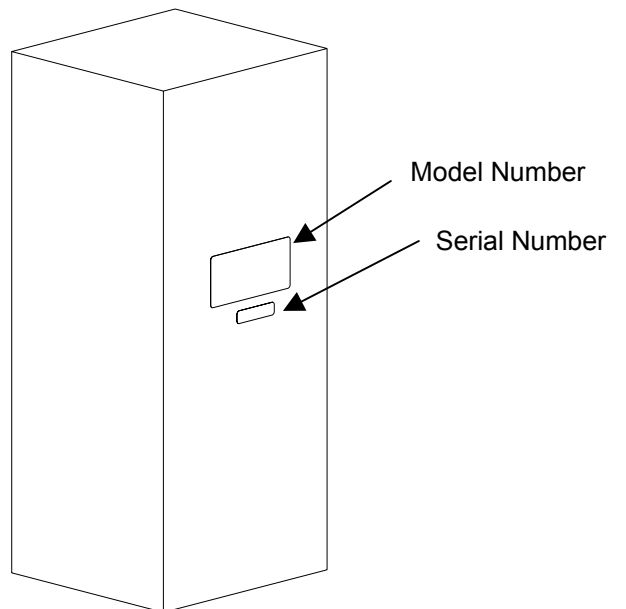
**WARNING:** Procedures and techniques which, if not carefully followed, will expose the user to the risk of fire, serious injury, illness or death.

# IMPORTANT INSTRUCTIONS

If you have any questions about our products please have the product model and serial numbers available upon calling Dimplex customer service. To locate the model and serial number labels see below.



Firebox



Carton

## NOTE

A 15amp, 120 volt circuit is required. A dedicated circuit is preferred but not essential in all cases. A dedicated circuit will be required if, after installation, the circuit breaker trips or the fuse blows on a regular basis when the heater is operating. Additional appliances on the same circuit may exceed the current rating of the circuit breaker.

## WARNING

Placing heavy objects on top of this fireplace may cause damage or injury.

**Maximum suggested weight to be placed on top of unit is 25 lbs/11 kg.**

Do not use fireplace as a seat or step.

## WARNING

Ensure the power cord is not installed so that it is pinched or against a sharp edge and ensure that the power cord is stored or secured to avoid tripping or snagging to reduce the risk of fire, electric shock or injury to persons.

Construction and electrical outlet wiring must comply with local building codes and other applicable regulations to reduce the risk of fire, electric shock and injury to persons.

Do not attempt to wire your own new outlets or circuits. To reduce the risk of fire, electric shock or injury to persons, always use a licensed electrician.

## WARNING

The supplied mounting brackets are designed for use with Dimplex corner wall mounted fireplaces only. Improper use, or use for purposes other than intended, may cause damage or injury.

## CORNER WALL MOUNTED ELECTRIC FIREPLACE INSTALLATION

### WARNING

Failure to install the corner wall mounted electric fireplace as instructed below may result in damage to the equipment and or may expose the user to the risk of fire, serious injury, illness or death.

### WARNING

The corner wall mounted electric fireplace requires each wall mounting bracket to be installed into a minimum of one wall stud.

### TOOLS

Drill, 1/2" drill bit, slotted screwdriver, angle divider, stud locator.

### NOTE

For optimum installation the corner wall mounted electric fireplace should be installed in a 90° corner  $\pm 3^\circ$ . The use of washers (included) may be required if the corner is not within the specified tolerance.

1. Select the desired corner near an electrical outlet. (power cord length is 5 feet)
2. Ensure the front of the unit when installed is at least 3 feet (0.9m) from combustible materials, such as furniture, pillows, bedding, papers, clothes, and curtains.
3. Mount the unit in the corner with the bottom trim being at a minimum of 15" (mounting bracket 50") above the floor. (FIGURE 1 & 2)

### NOTE

It is recommended that the bottom trim of the unit not be mounted higher than 18" from the ground (mounting bracket no higher than 53"). (FIGURE 1 & 2)

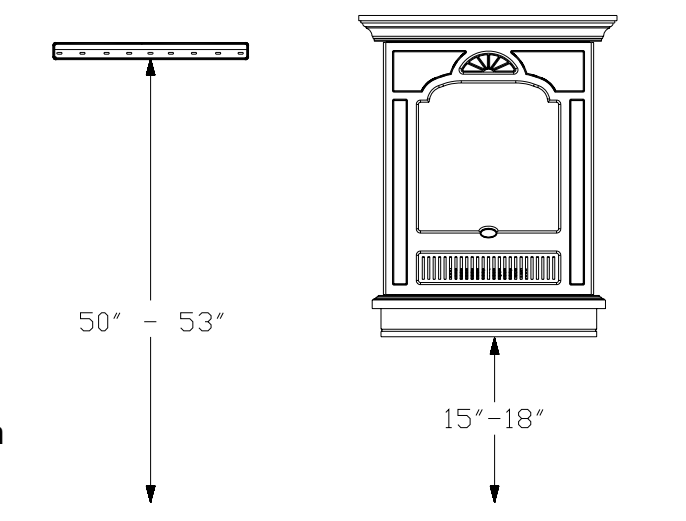


FIGURE 1

FIGURE 2

4. To mount the unit so that the wall outlet is hidden, mount the bracket 30"- 33" above the top of the outlet. (FIGURE 3)
5. Use a stud locator to determine the location of the studs in the corner.
6. Mark the stud locations on the wall.
7. Position mounting brackets on wall and align with wall stud markings.

**NOTE**

Ensure that each mounting bracket is installed into at least one wall stud.

**NOTE**

When installing into one wall stud use one of the center locations as indicated in FIGURE 6.

**NOTE**

When installing into two wall studs use the outer locations as indicated in FIGURE 7.

8. Choose the center marking and place the bubble level onto the top of the wall mounting bracket.
9. Adjust the wall-mounting bracket so the bubble on the level is centered between the two black lines.
10. Mark the other two mounting screw locations on the wall bracket ensuring that the wall bracket stays level.
11. Drill  $\frac{1}{2}$ " holes into the wall on the marked locations where wall anchors are to be installed. (FIGURE 4)

(FIGURE 4)

**NOTE**

Do not drill  $\frac{1}{2}$ " holes into the wall where the studs have been located.

12. Squeeze the wall anchor together and insert the wall anchors into the  $\frac{1}{2}$ " holes in the wall. (FIGURE 5)

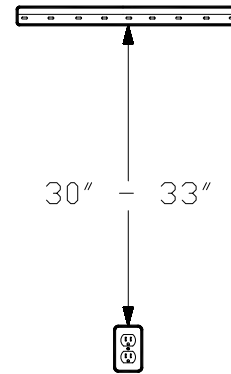
(FIGURE 5)

13. Insert the wall anchor screws through the wall bracket and thread into the wall anchors. The screws should extend beyond the wall anchors. Tighten the screws. (FIGURE 5)

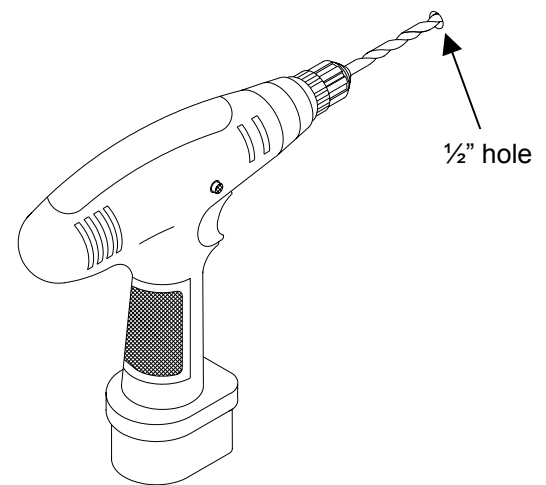
Tighten the screws. (FIGURE 5)

14. Install the remaining screw(s) into the wall stud(s) as required.

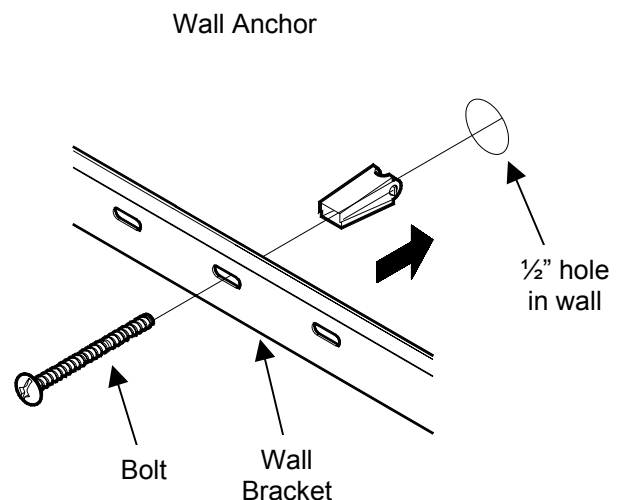
15. Repeat steps 8 to 14 for 2<sup>nd</sup> bracket.



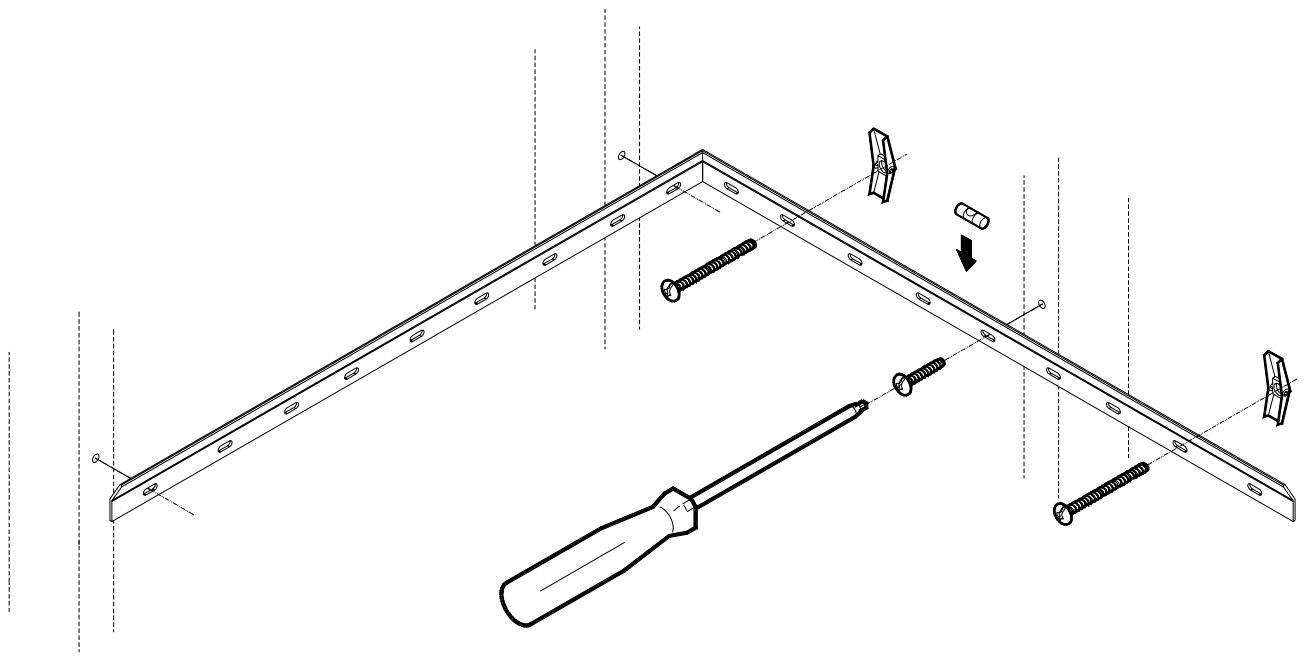
**FIGURE 3**



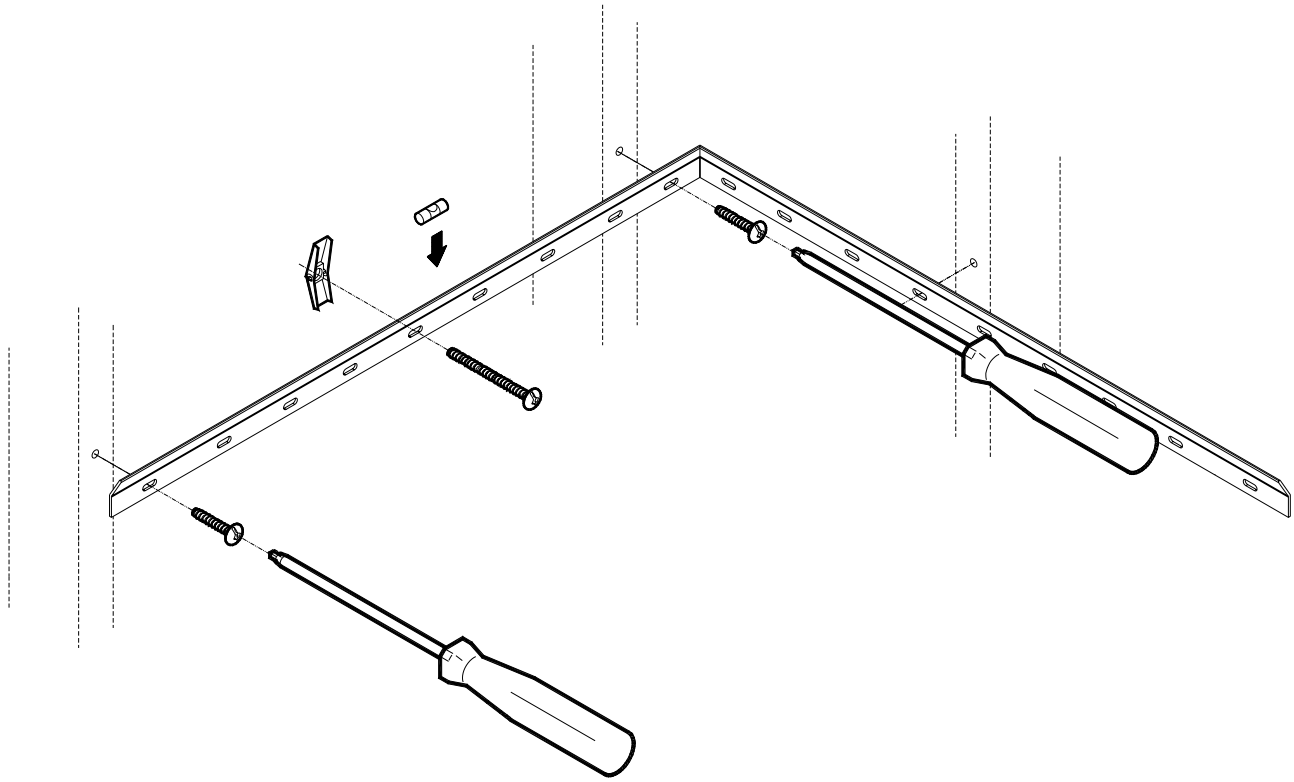
**FIGURE 4**



**FIGURE 5**



**FIGURE 6**



**FIGURE 7**



## UNIT INSTALLATION

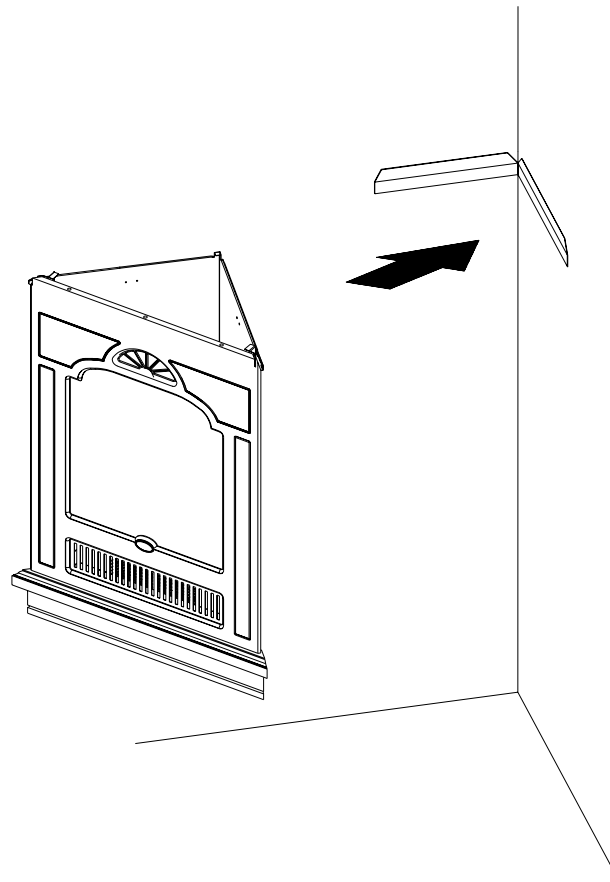


FIGURE 8

### SECURING DECORATIVE TOP PANEL TO UNIT

#### NOTE

Secure decorative top panel to unit after installing unit to wall.

#### NOTE

Top panel brackets are left loose by the manufacturer in order to be adjusted to match the engaging holes in the back panel.

#### TOOLS

Slotted screwdriver

1. Place decorative top panel on top of unit.
2. Open door to achieve access to top panel brackets.
3. Align top panel brackets with holes on back panel.
4. If required, adjust top panel to achieve a consistent gap above the door.
5. Secure decorative top panel to unit with (2) screws per bracket. (screws included)
6. Tighten remaining 4 screws on decorative top panel.

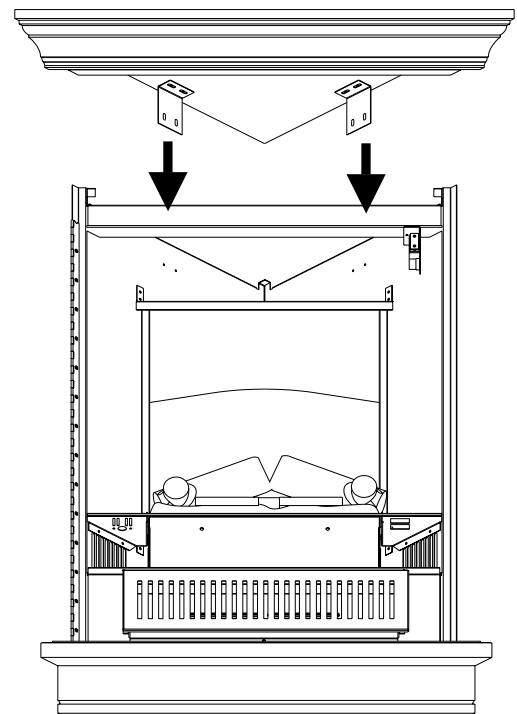


FIGURE 9

## BOTTOM TRIM ADJUSTMENT

### NOTE

After installation it may be necessary to adjust the clearance between the door and the bottom trim.

1. Unplug unit.
2. Remove unit from wall.
3. Lay unit on side.
6. Unscrew the side of the bottom trim that requires adjustment.
7. Adjust bottom trim to desired location.
8. Secure bottom trim adjustment screws.
9. Repeat for other side of trim if necessary.
10. Install unit back onto mounting brackets.
11. Plug unit into wall outlet.

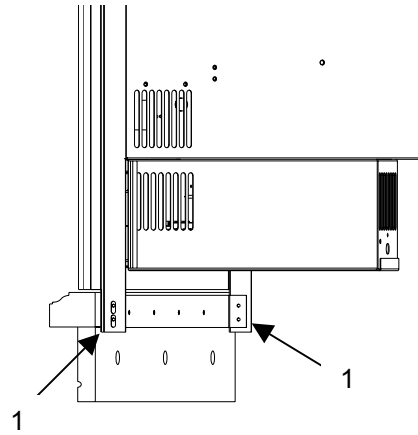


FIGURE 10

## CORD SECURING (VIEW FROM BACK)

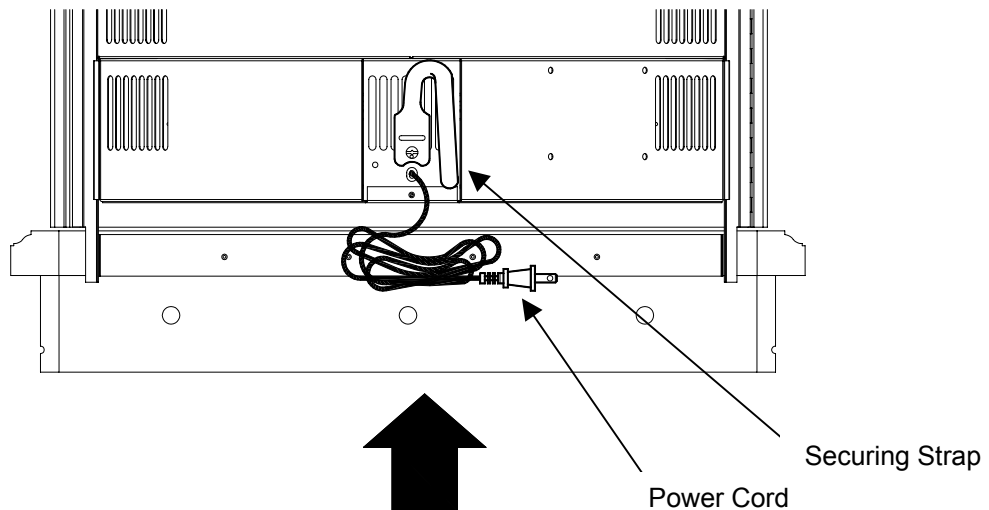


FIGURE 11

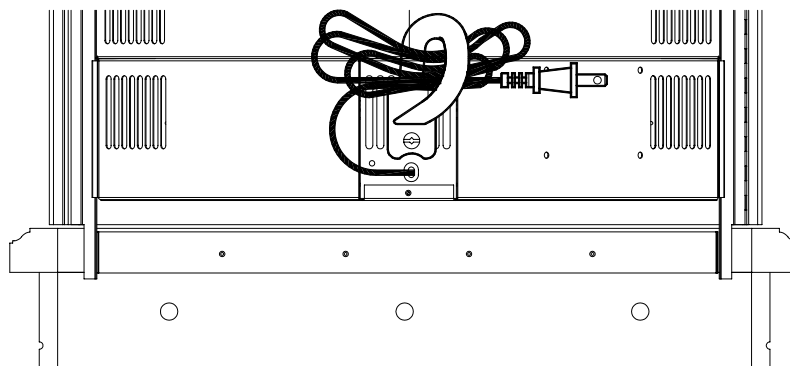


FIGURE 12

## OPERATION

The controls are located inside the door panel on the lower side of the corner wall mounted electric fireplace. (FIGURE 13)

### A. MAIN ON/OFF SWITCH

The on/off switch supplies power to all unit functions (heater/flame)

### B. MAIN SELECTION SWITCH

To choose between flame effect setting, flame effect with low heat setting, and flame effect with high heat setting.

### C. HEATER THERMOSTAT CONTROL

To adjust the temperature to your individual requirements, turn the thermostat control clockwise all the way to turn on the heater. When the room reaches the desired temperature, turn the thermostat knob counter clockwise until you hear a click. Leave in this position to maintain the room temperature at this setting. For additional heat, turn clockwise until you hear the click again and the heater will turn on.

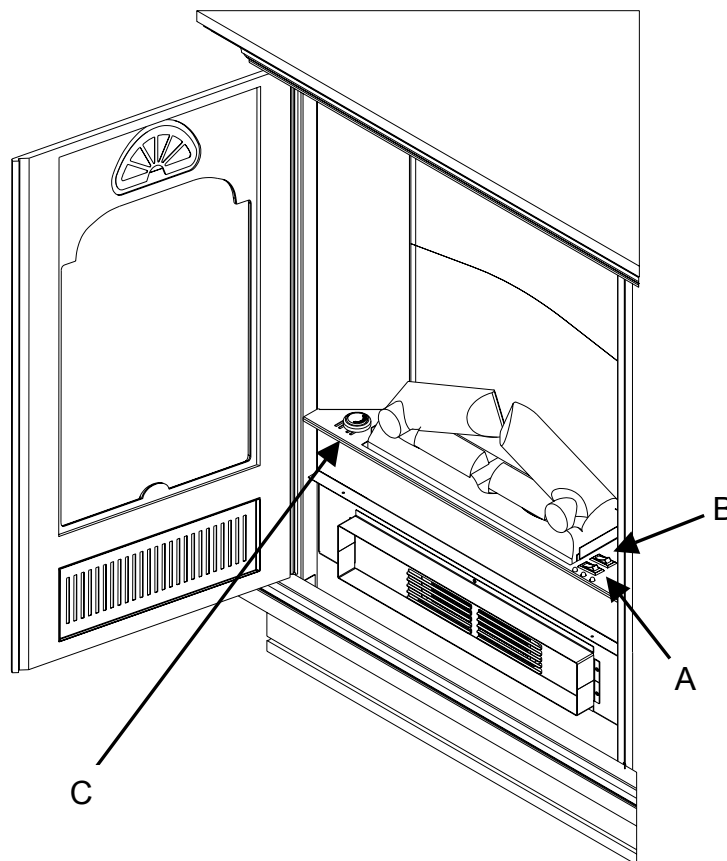


FIGURE 13

## RESETTING THE TEMPERATURE CUTOFF SWITCH

Should the heater overheat, an automatic cut out will turn the heater off and it will not come back on without being reset. It can be reset by switching the MAIN ON/OFF SWITCH to OFF and waiting 5 minutes before switching the unit back on.

### CAUTION

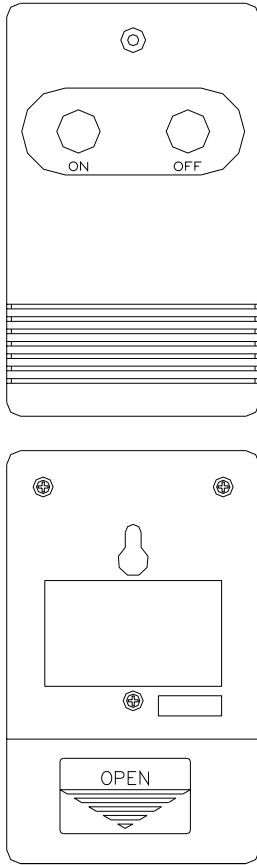
If you need to continuously reset the heater, unplug the unit and call Dimplex customer service at 1-888-DIMPLEX (1-888-346-7539).

### NOTE

The heater may emit a slight, harmless odor when first used. This odor is a normal condition caused by initial heating of internal heater parts and will not occur again.

# REMOTE CONTROL USAGE

The corner wall mounted electric fireplace is supplied with a radio frequency remote control. This remote control has a range of approximately 50 feet (15.25m), it does not have to be pointed at the fireplace and can pass through most obstacles (including walls). It is supplied with one of 243 independent frequencies to prevent interference with other units. The frequency designation is indicated on the back of the transmitter.



**FIGURE 14**

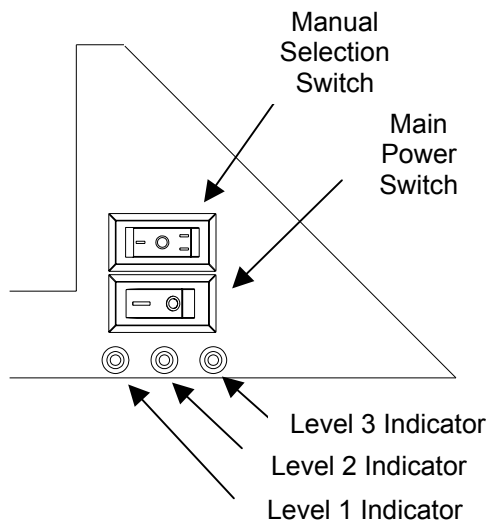
## A. Remote Control Initialization

This procedure is required every time there is a loss of power to the remote control in the fireplace. (i.e. power failure, breaker tripped, main power switch is turned off)

1. Ensure that power is supplied through main service panel.
2. Locate manual controls. (refer to FIGURE 13)
3. Activate main power switch, red indicator light 1 will flash.
4. Press and hold the heater control switch for five seconds. The second red indicator light will flash.
5. Press ON button located on the remote control transmitter (FIGURE 14). This will synchronize the remote control transmitter and receiver.

## B. Remote Control Usage

The remote control operates the fireplace levels sequentially. The level is increased every time the ON button on the transmitter is pressed. The fireplace can be turned off at any point by pressing the OFF button on the remote control transmitter.



**FIGURE 15**

Level 1: The flame effect is turned on and the first red indicator light is activated.

Level 2: The flame effect remains on, the heater is activated to the low heat setting, and the first and second red indicator lights are activated.

Level 3: The flame effect remains on, the heater is set to the high heat setting, and all three red indicator lights are activated.

## MANUAL CONTROLS

The corner wall mounted electric fireplace can also be controlled in a similar manner to the remote control with switches located inside the unit (FIGURE 15).

### A. Main Power Switch

Main on/off switch, supplies power to the remote control receiving unit. When placed in the on position Level 1 indicator will flash.

### B. Manual Selection Switch

Operates the corner wall mounted electric fireplace in the same manner as the remote control transmitter. Pressing the left side of this switch has the same effect as the ON button on the remote control and the right side has the same effect as the OFF button of the remote control. Pressing once to the left activates Level 1, twice activates Level 2, three times activates Level 3. Pressing to the right turns the corner wall mounted electric fireplace off.

## MAINTENANCE

### WARNING

Disconnect power before attempting any maintenance or cleaning to reduce the risk of fire, electric shock or damage to persons.

### LIGHT BULB REPLACEMENT

Allow at least 5 minutes for light bulbs to cool before touching bulbs to avoid accidental burning of skin.

Light bulbs need to be replaced when you notice a dark section of the flame or when the clarity and detail of the log exterior disappears. There are two bulbs under the log set which generate the flames and embers.

### TOOL REQUIREMENTS

Slot screw driver

### HELPFUL HINTS

It is a good idea to replace all light bulbs at one time if they are close to the end of their rated life. Group replacement will reduce the number of times you need to open the unit to replace light bulbs.

### LOWER LIGHT BULB REQUIREMENTS

Two (2) clear chandelier or candelabra bulbs with an E-12 (small) socket base, 60 watt rating.

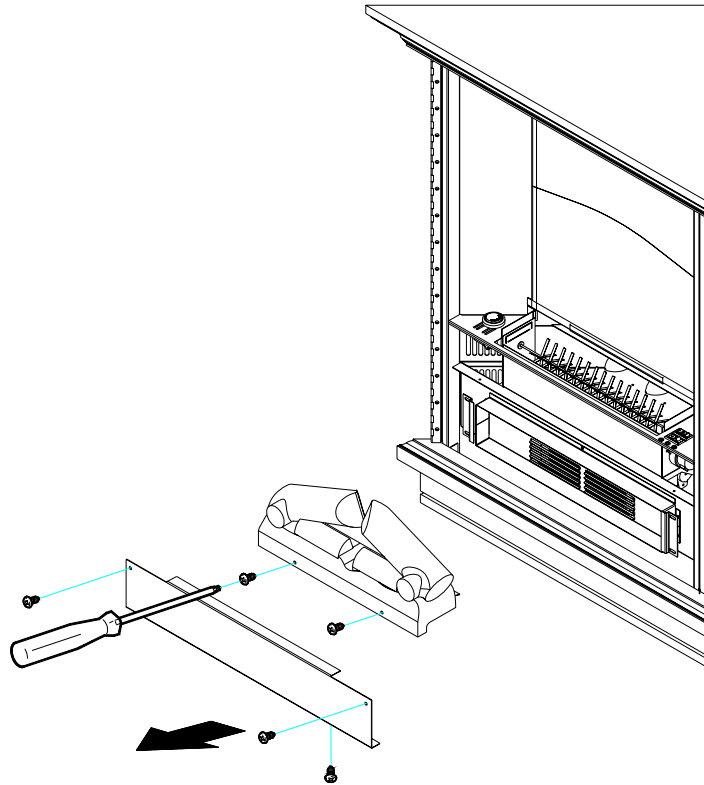
### LOWER BULB REPLACEMENT

1. Unplug the unit from the outlet.
2. Open latched door.
3. Remove the 3 mounting bracket screws.
4. Set aside mounting bracket.
5. Remove 2 log set screws.
6. Set log set assembly aside.
7. Unscrew the bulb(s) counter clockwise.
8. Insert new bulb(s).
9. Assemble in reverse order.

### NOTE

When placing log set back into unit ensure the log set sits in between the 2 vertical mounting flanges.

10. Plug in the corner wall mounted electric fireplace.



**FIGURE 16**

### **GLASS CLEANING**

The front glass is cleaned in the factory during the assembly operation. During shipment, installation, handling, etc., the front glass may collect dust particles, these can be removed by dusting lightly with a clean dry cloth.

To remove fingerprints or other marks, the glass can be cleaned with a damp cloth. The glass should be completely dried with a lint free cloth to prevent water spots. To prevent scratching, do not use abrasive cleaners or spray liquids on the glass surface.

### **CORNER WALL MOUNTED ELECTRIC FIREPLACE SURFACE CLEANING**

To remove fingerprints or other marks, the exterior finish can be cleaned with a damp cloth with a mild detergent. The surface should be completely dried with a lint free cloth to prevent water spots.

**To prevent scratching, do not use abrasive cleaners or spray liquids on any surface.**

## TWO YEAR LIMITED WARRANTY

### *Products to which this limited warranty applies*

This limited warranty applies to the following models of your newly purchased Dimplex electric fireplace **EWMC-CC-SS** and to newly purchased Dimplex fireplace surrounds (mantels) and trims. This limited warranty applies only to purchases made in any province of Canada *except* for Yukon Territory, Nunavut, or Northwest Territories or in any of the 50 States of the USA (and the District of Columbia) *except* for Hawaii and Alaska. This limited warranty applies to the original purchaser of the product only and is not transferable.

### *Products excluded from this limited warranty*

Light bulbs are not covered by this limited warranty and are the sole responsibility of the owner/purchaser. Products purchased in Yukon Territory, Nunavut, Northwest Territories, Hawaii, or Alaska are not covered by this limited warranty. Products purchased in these States, provinces, or territories are sold AS IS without warranty or condition of any kind (including, without limitation, any implied warranties or conditions of merchantability or fitness for a particular purpose) and the entire risk of as to the quality and performance of the products is with the purchaser, and in the event of a defect the purchaser assumes the entire cost of all necessary servicing or repair.

### *What this limited warranty covers and for how long*

Products, other than fireplace surrounds (mantels) and trims, covered by this limited warranty have been tested and inspected prior to shipment and, subject to the provisions of this warranty, Dimplex warrants such products to be free from defects in material and workmanship for a period of 2 years from the date of the first purchase of such products.

Dimplex fireplace surrounds (mantels) and trims covered by this limited warranty have been tested and inspected prior to shipment and, subject to the provisions of this warranty, Dimplex warrants such products to be free from defects in material and workmanship for a period of 1 year from the date of first purchase of such products.

The limited 2 year warranty period for products other than fireplace surrounds (mantels) and trims and the limited 1 year warranty period for fireplace surrounds (mantels) and trims also applies to any implied warranties that may exist under applicable law. Some jurisdictions do not allow limitations on how long an implied warranty lasts, so the above limitation may not apply to the purchaser.

### *What this limited warranty does not cover*

This limited warranty does not apply to products that have been repaired (except by Dimplex or its authorized service representatives) or otherwise altered. This limited warranty does further not apply to defects resulting from misuse, abuse, accident, neglect, incorrect installation, improper maintenance or handling, or operation with an incorrect power source.

*What you must do to get service under this limited warranty*

Defects must be brought to the attention of Dimplex Technical Service by contacting Dimplex at 1-888-[DIMPLEX](tel:1-888-346-7539) (1-888-346-7539), or 1367 Industrial Road, Cambridge Ontario, Canada N1R 7G8. Please have proof of purchase, catalogue/model and serial numbers available when calling. Limited warranty service requires a proof of purchase of the product.

*What Dimplex will do in the event of a defect*

In the event a product or part covered by this limited warranty is proven to be defective in material or workmanship during (i) the 2 year limited warranty period for products other than fireplace surrounds (mantels) and trims, and (ii) the 1 year limited warranty period for surrounds (mantels) and trims, you have the following rights:

- Dimplex will in its sole discretion either repair or replace such defective product or part without charge. If Dimplex is unable to repair or replace such product or part, or if repair or replacement is not commercially practicable or cannot be timely made, Dimplex may, in lieu of repair or replacement, choose to refund the purchase price for such product or part.
- Limited warranty service will be performed solely by dealers or service agents of Dimplex authorized to provide limited warranty services.
- **For products other than surrounds (mantels) and trims**, this 2 year limited warranty entitles the purchaser to on-site or in-home warranty services. Accordingly, Dimplex will be responsible for all labour and transportation associated with repairing or replacing the product or part except as follows: (i) charges which may be levied for travel costs incurred to travel to the purchaser's site where the product is located if the purchaser's site is beyond 30 miles (48 km) from the closest service depot of Dimplex's dealer or service agent; and (ii) the purchaser is solely responsible for providing clear access to all serviceable parts of the product.
- **For surrounds (mantels) and trims**, this 1 year limited warranty does not entitle the purchaser to on-site or in-house warranty services. The purchaser is responsible for removal and transportation of the surrounds (mantels) and trims (and any repaired or replacement product or part) to and from the authorized dealer's or service agent's place of business. On-site or in-home services for surrounds (mantels) and trims may be performed at the purchaser's specific request and expense at Dimplex's then-current rates for such services. Dimplex will not be responsible for, and this limited warranty shall not include, any expense incurred for installation or removal of the surrounds (mantels) or trims or any part thereof (or any replacement product or part) including, without limitation, all shipping costs and transportation costs to and from the authorized dealer's or service agent's place of business and all labour costs. Such costs shall be the purchaser's responsibility.



*What Dimplex and its dealers and service agents are also not responsible for:*

IN NO EVENT WILL DIMPLEX, OR ITS DIRECTORS, OFFICERS, OR AGENTS, BE LIABLE TO THE PURCHASER OR ANY THIRD PARTY, WHETHER IN CONTRACT, IN TORT, OR ON ANY OTHER BASIS, FOR ANY INDIRECT, SPECIAL, PUNITIVE, EXEMPLARY, CONSEQUENTIAL, OR INCIDENTAL LOSS, COST, OR DAMAGE ARISING OUT OF OR IN CONNECTION WITH THE SALE, MAINTENANCE, USE, OR INABILITY TO USE THE PRODUCT, EVEN IF DIMPLEX OR ITS DIRECTORS, OFFICERS, OR AGENTS HAVE BEEN ADVISED OF THE POSSIBILITY OF SUCH LOSSES, COSTS OR DAMAGES, OR IF SUCH LOSSES, COSTS, OR DAMAGES ARE FORESEEABLE. IN NO EVENT WILL DIMPLEX, OR ITS OFFICERS, DIRECTORS, OR AGENTS BE LIABLE FOR ANY DIRECT LOSSES, COSTS, OR DAMAGES THAT EXCEED THE PURCHASE PRICE OF THE PRODUCT.

SOME JURISDICTIONS DO NOT ALLOW THE EXCLUSION OR LIMITATION OF INCIDENTAL OR CONSEQUENTIAL DAMAGES, SO THE ABOVE LIMITATION OR EXCLUSION MAY NOT APPLY TO THE PURCHASER.

*How State and Provincial law apply*

This limited warranty gives you specific legal rights, and you may also have other rights which vary from jurisdiction to jurisdiction. The provisions of the United Nations Convention on Contracts for the Sale of Goods shall not apply to this limited warranty or the sale of products covered by this limited warranty.



**1-888-DIMPLEX**  
**1-888-346-7539**

** Dimplex**

North America Limited

1367 Industrial Road  
Cambridge, Ontario  
Canada, N1R 7G8

Approved for use in the United States and Canada