

LADDER FOR

ROYAL ENTRANCE #5602 OR FESTIVA #5704

Installation

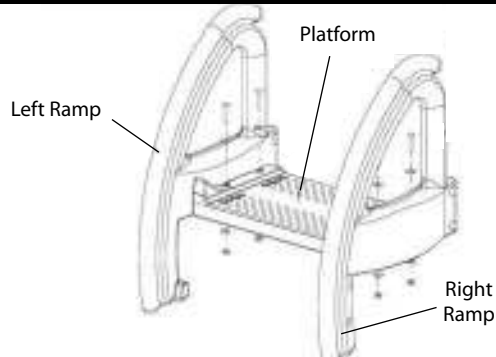


www.lumi-o.com

Read carefully the cautions and every steps before assembly and using your step.

Caution : File off all stripped or sharp edges before assembly to avoid injuries and pool damage.

Fig. 1



1 - Attach the platform to the left and right ramps using four 2" bolts, washers and nuts (fig. 1).

2 - Peel the protective backs off the self-adhesive pads and center the pads on the polished areas on the back of the step (fig. 2).

3 - Insert the rails into the step (short rails on top) and align with the predrilled holes. Attach using the eight 2½" (8), bolts, washers and nuts (fig. 3).

Fig. 2

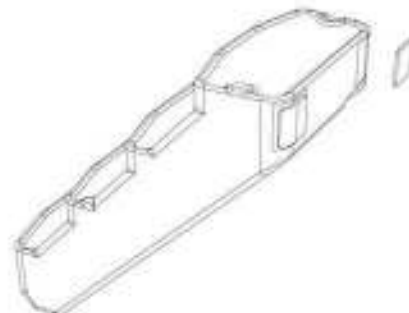
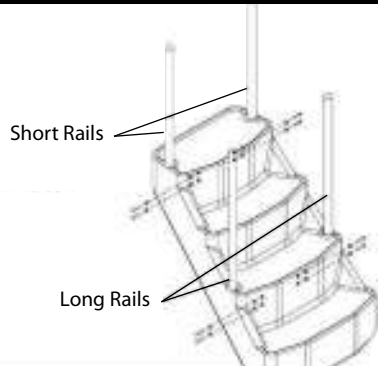


Fig. 3



4 - Slide the ramps over the short rails and leave unattached. Insert the diagonal rails onto the long and short rails. From the outside of the step, attach using four 10X¾" (4) self tapping screws (fig. 4).

5 - Move the step into the water and leave unattached.

6 - Pour sand* (approx. 50 lbs.) into the fence until it is ¾ full (fig. 5).

7 - Slide the fence into the step and push it towards the foot of the step (fig. 6).

8 - Move the step back against the pool wall and level it horizontally (fig. 7).

9 - Adjust the platform until it rests on the top rail. Once at the right level, attach using the eight 10X¾" (8) self tapping screws (fig. 8).

Fig. 4

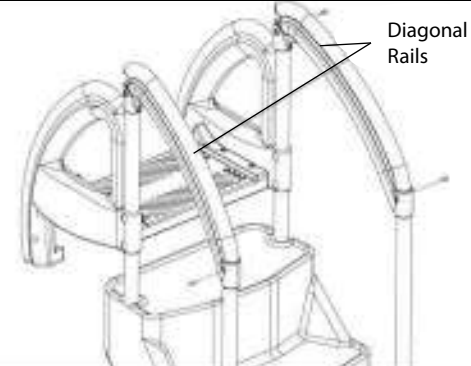


Fig. 5

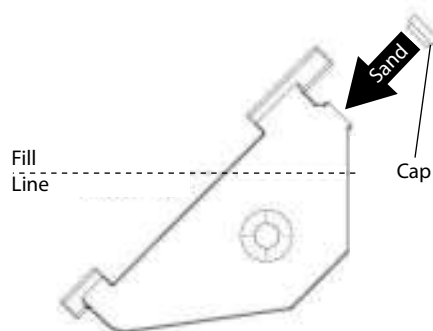


Fig. 6

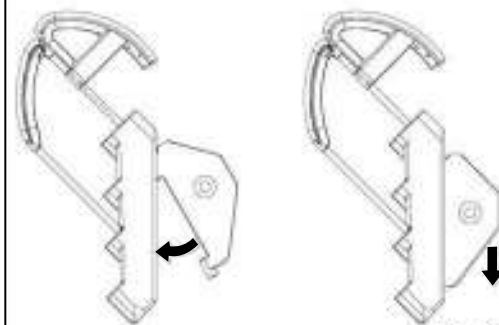


Fig. 7

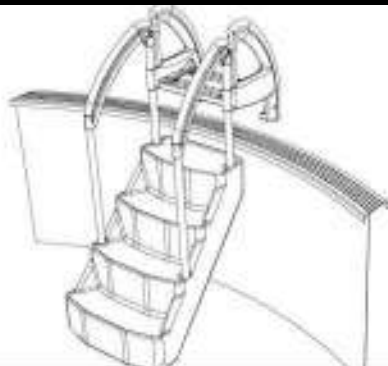


Fig. 8

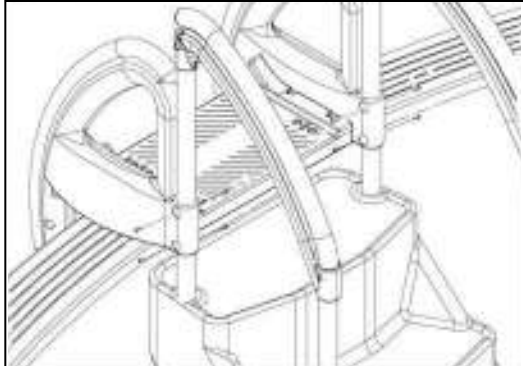
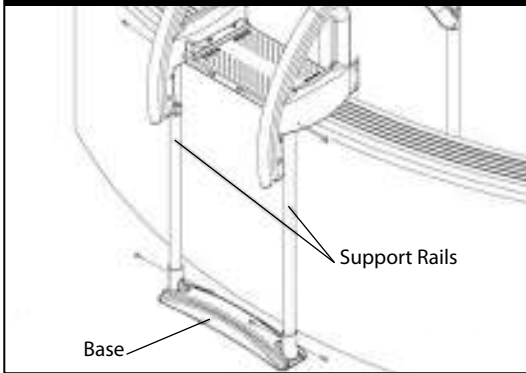


Fig. 9



10 - Pour sand* (minimum 20 lbs.) into the openings of the base. Insert the two support rail, starting at the base to the left and right ramps. Adjust and center the support rails and attach with the eight 10x3/4" (8) self tapping screws (fig. 9).

11 - Attach the platform to top rail using straps. Use the holes which best align the platform with the top rail ensuring that the step remains against the pool wall (fig. 10).

Fig. 10

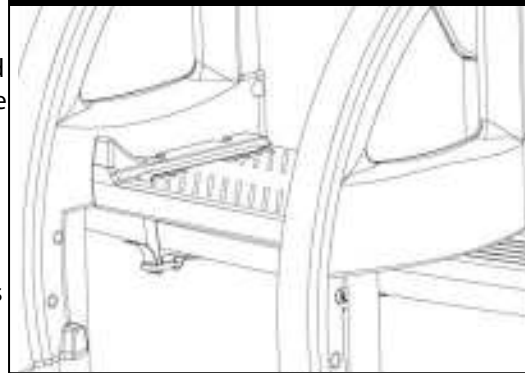
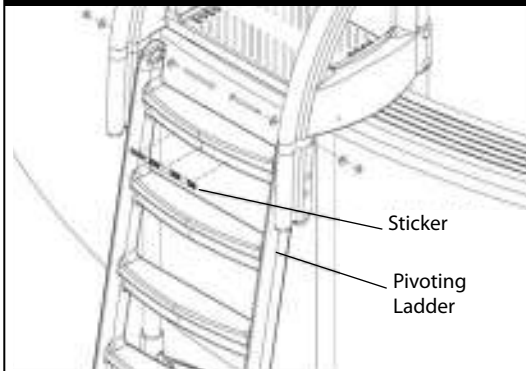
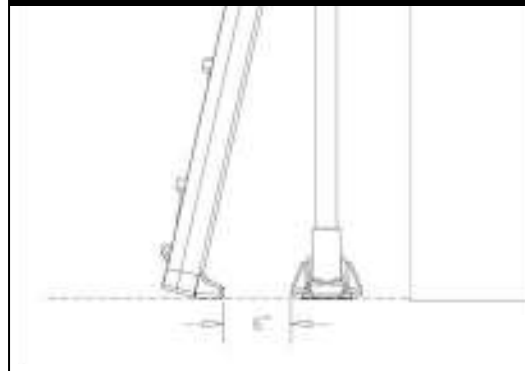


Fig. 11



12 - Attach the pivoting ladder to the ramps using two 3 1/2" (2) bolts, washers and nuts. Use the top holes on the ramps for 48" high pools, the middleholes for 52" pools, and the bottom holes for 54" pools (fig. 11)

Fig. 12

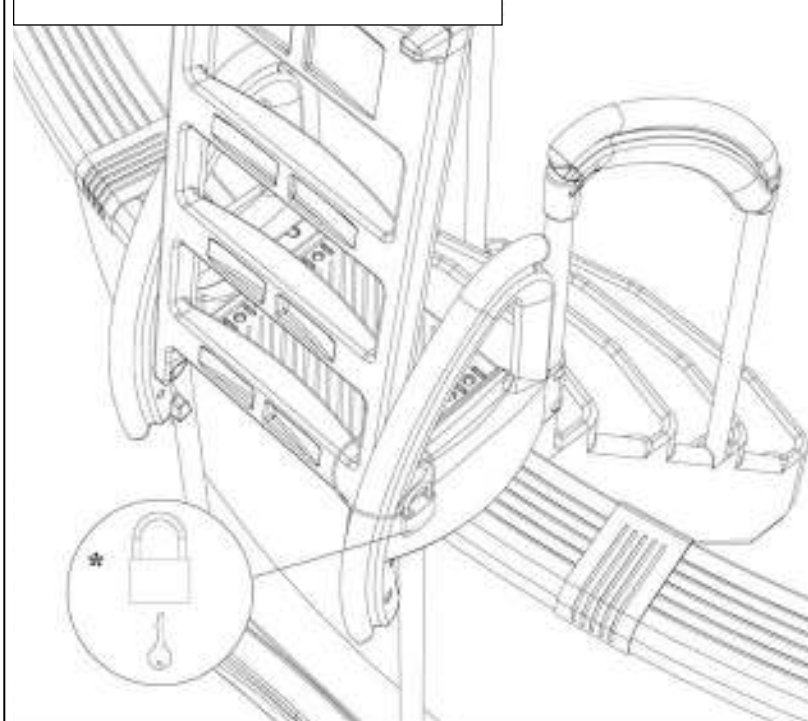


13 - Ensure the ladder and the base touch the ground solidly. A minimum ladder angle is required, which can be measured as a distance of 6" between the base and the foot of the ladder (fig. 12).

NOTE:
Do not overtighten bolts.

Fig. 13

Use the cable supplied to lock the ladder in an upright position when not in use.



*Not included with the step or ladder.
Call your pool supply for more information.

CAUTION

- :: Install the step on a solid base and flat base.
- :: Do not jump or dive from the step.
- :: The step should be removed from the water when temperature drop below freezing.
- :: Never lift the step by its rail.
- :: Use battery-operated tools to avoid electric shock near water
- :: Ensure no corrosive materials are added to the step or hardware kit
- :: The step and ladder shall be installed per manufacturer's instructions.
- :: File off all stripped or sharp edges of hardware to avoid injury and/or pool damage.
- :: Step and ladder must be fixed and stable, before and during utilisation
- :: The manufacturer is not responsible for damage or injuries caused by improper installation or use.
- :: For more protection, we suggest to install a step pad* under the step.
- :: For special installations, contact your dealer.