

**SECURITY CHIMNEYS
INTERNATIONAL®**



INSTALLATION AND OPERATION INSTRUCTIONS

Bio Fuel Venting System for wood pellet or corn burning stoves and low temperature gas or liquid fuel burning appliances

P/N 506065-05 REV. B 05/2011

TYPE L-VENT 3" & 4" Factory-built Venting System

MODEL SPX

This installation manual will enable you to obtain a safe, efficient and dependable installation of this Type L-Vent Factory-built Venting System. Please read and understand these instructions before beginning your installation.

Do not alter or modify the components of this venting system under any circumstances. Any modification or alteration of the piping system or approved accessories, including but not limited to the appliance it is connected to, may void the warranty, listings and approvals of this system and could result in an unsafe and potentially dangerous installation.

CONTACT LOCAL BUILDING OR FIRE OFFICIALS ABOUT RESTRICTIONS, INSTALLATION INSPECTION AND PERMIT THAT MAY BE REQUIRED IN YOUR AREA

**READ THESE INSTRUCTION AND KEEP
THEM FOR FUTURE REFERENCE**

⚠ WARNINGS

A MAJOR CAUSE OF CHIMNEY RELATED FIRES IS FAILURE TO MAINTAIN REQUIRED CLEARANCES (AIR SPACES) TO COMBUSTIBLE MATERIALS. IT IS OF UPMOST IMPORTANCE THAT THIS CHIMNEY BE INSTALLED ONLY IN ACCORDANCE WITH THESE INSTRUCTIONS.

Listed to standards:
UL-641, ULC-S609 &
ULC/ORD-C441, Report
W.H.- 3170552



We recommend that the installation be performed by an installer certified by the National Fireplace Institute® (NFI). www.nficertified.org



TABLE OF CONTENTS

Introduction	page 2
Testing / listing information	page 2
General information	page 2
Locating your appliance	page 4
General installation notes.....	page 4
Vertical installation.....	page 5
Horizontal installation	page 7
Vertical exterior installation.....	page 8
Special section.....	page 9
Masonry installation.....	page 10
Wall thimble with air intake	page 10
Warranty	page 12

INTRODUCTION

Security™ model SPX vent is a type L-Vent factory-built venting system and is suitable for wood-pellet or corn-burning stoves and low temperature gas or liquid fuel burning appliances. SPX vent is available in two diameters: 3 and 4 inches.

Features:

- Aluminum-zinc coated steel outer casing / corrosion resistance
- Extra durable 304 stainless steel interior flue
- Twist-lock connecting system
- Leak-proof tested
- Rated to withstand temperatures as high as 570°F
- Attractive black painted outer casing also available

TESTING / LISTING INFORMATION

Security Chimney International, Ltd. model SPX venting system is listed with ITS (Intertek Testing Services) and the listing mark is Warnock Hersey. Tested in accordance with the following standards:

- UL-641, ULC-S609 AND ULC/ORD-C441 - Standards for Safety Type L, Low-Temperature Venting Systems

GENERAL INFORMATION

Install the SPX vent as described in these instructions. Only use parts supplied by Security Chimneys International Ltd, they will provide the clearances necessary for a safe installation. Failure to do so will void the certification of this vent.

Security Chimneys International Limited reserves the right to make changes at any time, without notice, in design, materials, specifications, prices. Consult your local distributor for chimney system code information.

The Minimum Clearance To Combustible Is: 1”

1. The SPX vent is intended for use with wood pellet or corn burning appliances and low temperature gas or liquid fuel burning appliances that are approved for use with type L venting systems.
2. See **Table 1** for maximum vent supporting height.

Maximum vent supporting height		
Vent size	3” (76mm)	4” (102mm)
Ceiling support ❶	50’ (15.2m)	50’ (15.2m)
Tee support	75’ (22.9m)	75’ (22.9m)
Firestop support	50’ (15.2m)	50’ (15.2m)
❶ Note: use additional support every 30 feet		
Table 1		

3. The vent termination cap shall extend at least 18” (457mm) higher than any wall or roof around the pipe.
4. When passing through ceilings and walls, make sure all combustible materials are a minimum of 1” (25mm) away from the vent.
5. Do not fill the 1” (25mm) air space around the vent with insulation or any other material. Insulation placed in this area could cause adjacent combustible to overheat. In unoccupied attic, an attic radiation shield should be used to avoid any contact from the insulation with the vent.

Framing dimensions		
Component/ Vent size	3" (76mm)	4" (102mm)
SPXSBF Decorative Support	5-1/2" x 5-1/2" 140mm x 140mm	6-1/2" x 6-1/2" 165mm x 165mm
SPXS Floor Support	5-1/2" x 5-1/2" 140mm x 140mm	6-1/2" x 6-1/2" 165mm x 165mm
SPXSC Cathedral Support	9-1/2" x 9-1/2" 240mm x 240mm	10-1/2" x 10-1/2" 267mm x 267mm
SPXBF Firestop	5-1/2" x 5-1/2" 140mm x 140mm	6-1/2" x 6-1/2" 165mm x 165mm
SPXRSMI Wall Thimble Insulated	5-1/2" x 5-1/2" 140mm x 140mm	6-1/2" x 6-1/2" 165mm x 165mm
SPXRMPA Wall Thimble with air intake	8-1/2" x 8-1/2" 216mm x 216mm	9-1/2" x 9-1/2" 240mm x 240mm
SPXRSA Attic Radiation Shield	5-1/2" x 5-1/2" 140mm x 140mm	6-1/2" x 6-1/2" 165mm x 165mm

Table 2

- Never choose a vent with an inside diameter that is smaller than the appliance's outlet.
- When exiting through the wall, make sure the local building code rules are followed for distance from windows and openings.
- Pellet vent must be installed so easy access can be provided for inspection and cleaning.
- Do not use chemical cleaner, they can damage the vent pipe.
- Security Chimneys is not responsible for flue by-products that might discolor roofs or walls.
- Have your chimney cleaned at least once a year by a certified chimney sweep. If you do it yourself, never use a stiff metallic brush always use a plastic or flexible steel brush.

- Sections of pipe are connected to each other by pushing them firmly together and twisting. Screws are not required. However, if screws are desired, use 1/4" long sheet metal screws. Do not penetrate the inner liner with the screws.
- SPX does not need sealant to be used at pipe joints, but RTV high temperature silicone may be used for additional protection or if required by the manufacturer. Seal the inner liner overlap at the female end of pipe for best results.

NOTE: RTV high temperature silicone sealant is required on the inner pipe on the following component connections:

- Connecting the appliance adaptor or any other part to the appliance outlet.
 - When using an adjustable length section.
- Offset and Rise Chart - See **figure 1** and **table 3**.

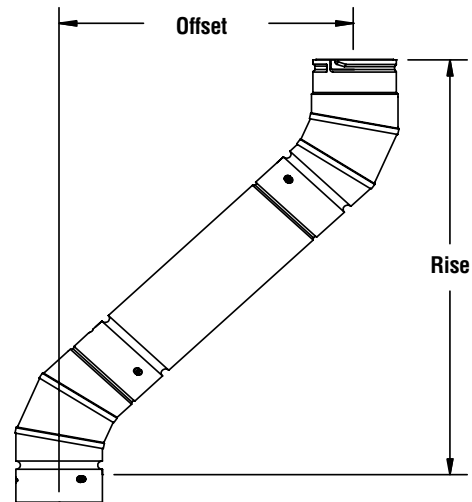


Figure 1

ONE LENGTH BETWEEN 45 DEGREE ELBOWS								
MODEL	TYPE	0"	6"	12"	18"	24"	36"	48"
3" & 4"	OFFSET	5-3/4"	9"	13-1/4"	17-1/2"	21-3/4"	30-1/4"	38-3/4"
	RISE	11-1/4"	14-1/2"	18-3/4"	23"	27-1/4"	35-3/4"	44-1/4"
TWO LENGTH BETWEEN 45 DEGREE ELBOWS								
MODEL	TYPE	----	6" & 48"	12" & 48"	18" & 48"	24" & 48"	36" & 48"	48" & 48"
3" & 4"	OFFSET	----	41-1/2"	45-3/4"	50"	54-1/4"	62-3/4"	71-1/4"
	RISE	----	47-1/2"	51-3/4"	56"	60-1/4"	68-3/4"	77-1/4"

Table 3

LOCATING YOUR APPLIANCE

Locate your appliance according to manufacturer's instruction.

- Be careful to respect your local building code regulations for minimum distance of flue exhaust from windows and openings.
- Do not terminate vent in an enclosed or semi-enclosed area such as: carports, garage, attic, crawl space, under a deck, porch, narrow walkway, closely fenced area, or any location that can build up a concentration of fumes such as a stairwell, covered breezeway etc.
- Vent surfaces can get hot enough to cause burns if touched. Adults should supervise children when they are in the area of a hot stove. Non-combustible shielding or guards may be required.
- **In absence of overriding local requirement, use the following rules. Termination shall be located:**
 - A. Higher than 3 feet (.92 m) above any forced air inlet (air conditioner, etc.) located within 10 feet (3 m).
 - B. Not less than 4 feet (1.2 m) below, 4 feet (1.2 m) horizontally from or 1 foot (3.1 m) above any gravity air inlet (door, window, etc.) which flue gases could reenter the dwelling.
 - C. Not less than 2 feet (.6 m) from combustible materials such as an adjacent buildings, fences, protruding parts of the structure, roof overhang, plants and shrubs, etc. and not less than 7 feet (2.1 m) above grade when located adjacent to the public sidewalks (access). The final termination of the exhaust system must be configured so that flue gases do not jeopardize the safety of people passing by, overheat combustible portions of nearby structures or enter the dwelling.
 - D. Not less than 3 feet (.92 m) below an eave (maximum overhang of 3 feet (.92 m) or any construction that projects more than 2" (51 mm) from the plane of the wall.
 - E. The distance from the bottom of termination to grade is 12" (305 mm) minimum. This is conditional upon plants and nature of grade surface: Be careful to choose a location for the vent termination which does not expose people or shrubs to high heat from the exhaust gases. The exhaust gases are not hot enough to ignite grass, plants and shrubs located in the vicinity of the termination although they should be a minimum of 3 feet (.92 m) away. The grade surface under the termination must not be a lawn.
 - F. Since sparks may escape from the exhaust pipe of any stove, use caution when positioning the vent pipe. Refer to instructions in this manual when installing and terminating the exhaust. The vent pipe should be horizontal and never run the pipe in a downward direction (recommend a 1/4" [7 mm] rise per foot horizontal).
 - G. If using the Wall Thimble Air Intake Kit, the installation may be considered a direct vent system, as defined by NFPA 211. Check with local building officials for clarification. If so, the clearances for the exit terminal are as follows:
For an appliance with an input of 10,000 Btu/h (2930 W) or less, the vent terminal shall be located at least 6" from any opening into a building. For an appliance with an input of greater than 10,000 Btu/h but less than 50,000 Btu/h (14650 W), the vent terminal shall be located not less than 9" from any opening into a building. For an appliance with an input over 50,000 Btu/h (14650 W), the vent terminal shall be

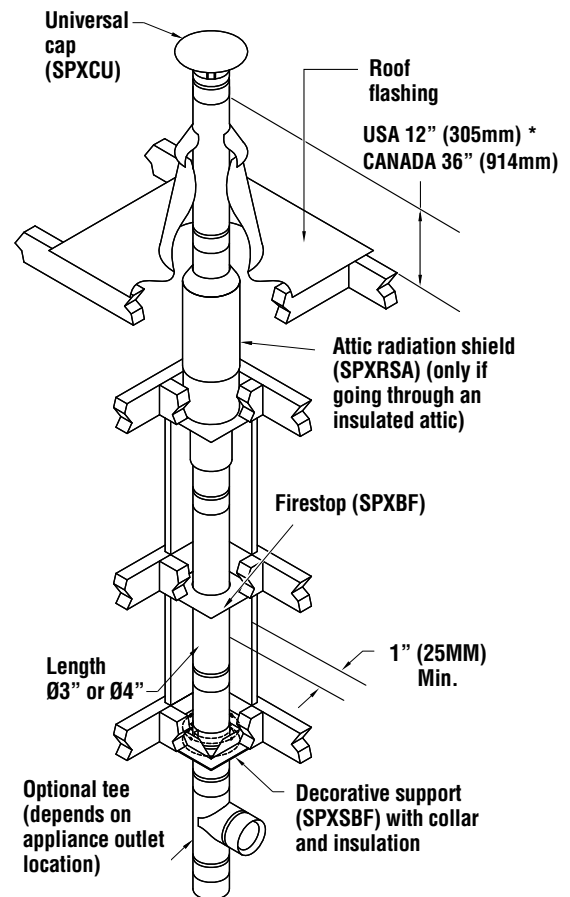
located not less than 12" away from any building opening. The bottom of the vent terminal and air intake must be located a minimum of 12" above grade.

Chimney Height Requirements - Manufactured Homes

The chimney must extend 3' (.92m) above the level of roof penetration and a minimum of 2' (.61m) higher than any roof surface within 10' (3m). Check with your local building officials for additional requirements for your area.

GENERAL INSTALLATION NOTES

1. Always follow the appliance manufacturer's instruction carefully.
 - Choose an appliance that is listed by a recognized testing laboratory.
 - Connect only one appliance per flue.
 - Always maintain the appliance manufacturer's specified minimum clearances.
 - Choose a location that minimize offsets and degrees to allow the appliance to vent optimally.
 - Do not install damaged parts.
2. The vent can be installed either vertically (see **figure 2**), horizontally (see **figure 3**) or both (see **figure 4**) depending on your appliance location.



* In residential site built homes, a minimum of 24" (610mm) clearance is required to combustibles (i.e. cedar shake roof, etc.). In manufactured (mobile homes), see section - *Chimney Height Requirements - Manufactured (Mobile) Homes*.

• Termination height requirements are in accordance with NFPA 211 and CAN/CSA-B365-M standards.

Figure 2

NOTE: DIAGRAMS & ILLUSTRATIONS ARE NOT TO SCALE.

Always use Security Chimneys fire-stop, support and accessories to ensure proper fitting of the installation.

3. The vent can be attached to an existing 6", 7" or 8" I.D. Type A pipe with our special adaptor (see [page 9](#)).

The SPX vent can also be installed inside a masonry chimney ([page 10](#)).

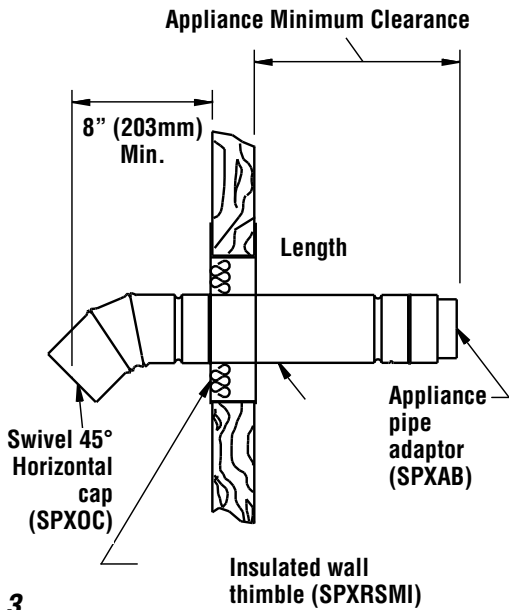


Figure 3

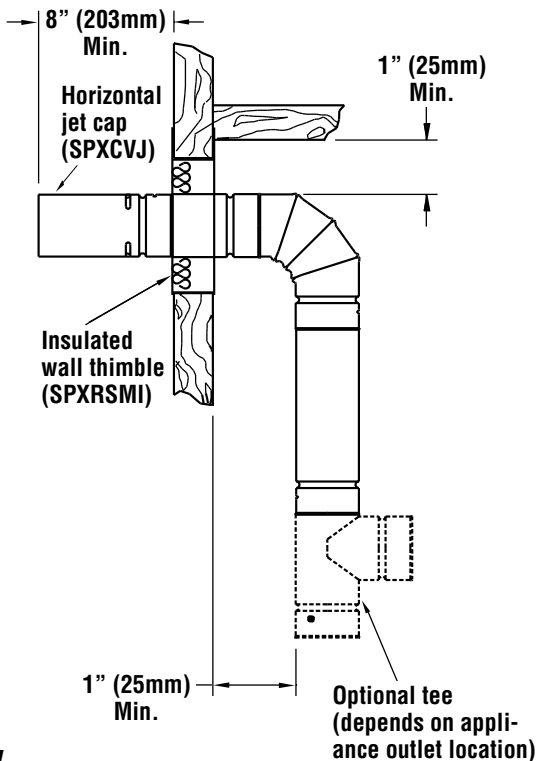


Figure 4

VERTICAL INSTALLATION

Locate appliance according to manufacturer's instruction.

1. Drop a plumb bob over the center of the flue outlet and mark center point on the ceiling.
2. Cut and frame the holes in the floor ceiling and roof where the vent will pass through.

See Framing Dimensions table, [page 3](#).

3. Place the decorative support under the ceiling in the center of the hole. Screw it in the joist using four #8 x 1-1/2" wood screws. Screw from underneath through the opening for the vent using a long screw bit. The decorative support also acts as a firestop. It is mandatory to install the insulation provided with this support (see [figure 5a](#)).
- 4.1. If going right through an attic, install the top part of the attic radiation shield above the support (see [figure 5b](#)). Discard the bottom part of the attic radiation shield. See Step 8.1 to finish the attic radiation shield installation.
- 4.2. If going through a storey and an attic. Do not block the hole over the support. At the attic level: install the bottom part (plate and tube) of the attic radiation shield below the ceiling using screws through the plate in the joists. From the top, insert the top cylindrical part of the attic radiation shield in the hole. It will be supported by the plate (see [figure 5d](#)). Adjust its height to the maximum possible within the space available.
- 4.3. If going through two or more storeys install a firestop under each ceiling. Install the attic radiation shield as in 4.2.

NOTES:

- In multi-storey installation, if the vent passes through a living space, closet or else, this vent must be enclosed.
- You can replace the fire-stop (SPXBF) by the decorative plate (SPXBDP).
- You may replace the support by the cathedral roof support if you are going through an incline roof (see [figure 5c](#)).
- The decorative plate (SPXBDP) cannot be used as a support.

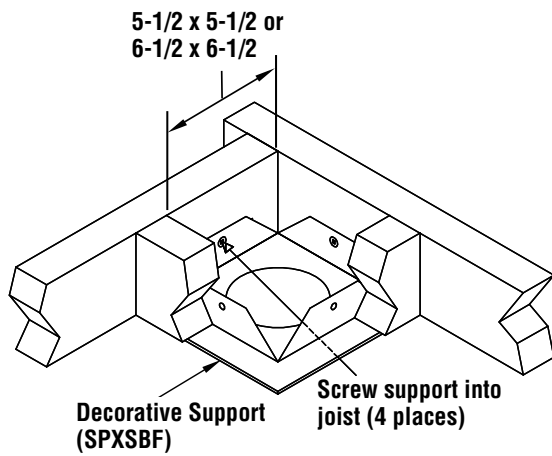


Figure 5a

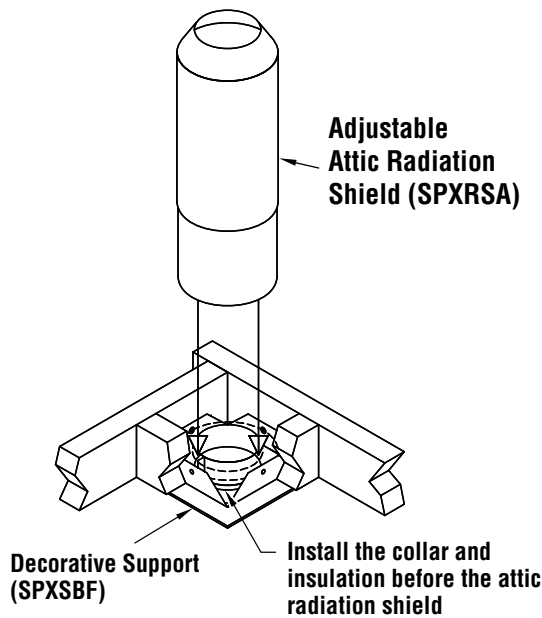


Figure 5b

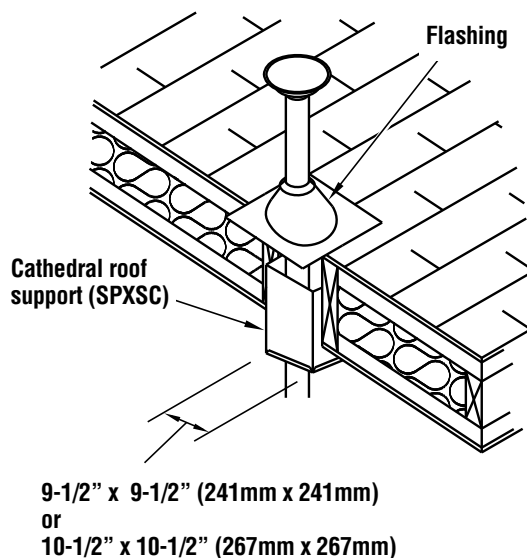


Figure 5c

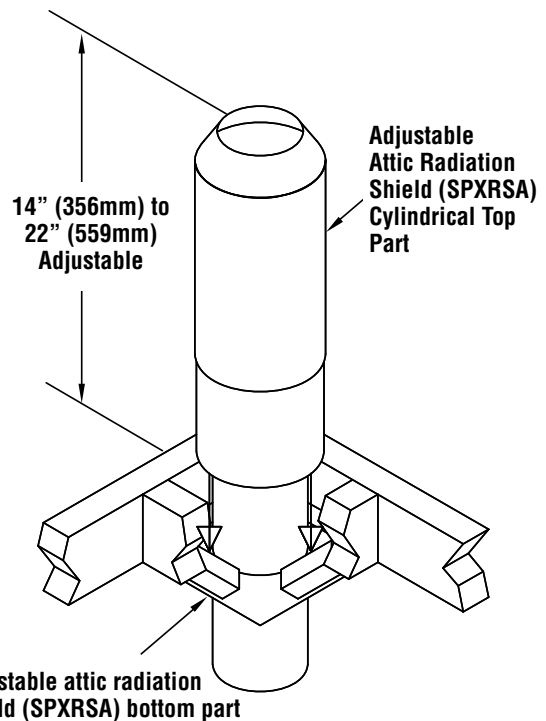


Figure 5d

6. Connect the pipe adaptor to the stove using silicone caulking. If the outlet of the appliance is at the back, attach a tee before stacking up the flue sections (see **figure 6**).
7. Attach each section of pipe by pushing male and female ends of pipe together and twisting until pipe is in locked position.
8. When pipe passes through support at ceiling, tighten the support collar around the vent, then secure it by using (3) 1/4" long metal screws through the collar and into the vent casing. Be sure that the screw does not penetrate into the inner flue. Insert the insulation, provided with the firestop support, around the vent and covering the support.
- 8.1 (ALTERNATE) If going right through an attic (see Step 4.1). Lift the top part of the attic radiation shield to access the support. Proceed as described in Step 8 and then lower the attic radiation shield down to the support plate and surrounding the insulation. Adjust it's height to the maximum possible within the available space. Secure with the four screws provided.
9. Stack the sections until the required vent height is reached.

If elbows are necessary, a support must be installed over the deviation.

10. At each floor or ceiling through which the vent passes, install a fire-stop below the floor. Exceptions:
 - 1 - On the first ceiling use a decorative support.
 - 2 - On the last ceiling use the attic radiation shield.
11. - Put the roof flashing in place.
 - Nail the flashing to the roof using roofing nails.
 - Seal the joint between the roof and flashing with roof caulking or appropriate material (*figure 7*).
12. For pitched roofs, place the flashing under the upper shingles and on top of the lower shingles.
13. Place the storm collar over the vent pipe and the flashing. Seal the joint between the vent and collar with silicone caulking (see *figure 7*).
14. Fit the rain cap to the top of the vent. Secure it tightly in place by twist locking it (1/3rd turn).

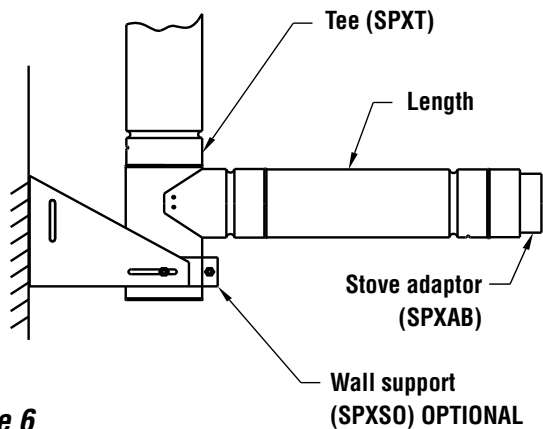
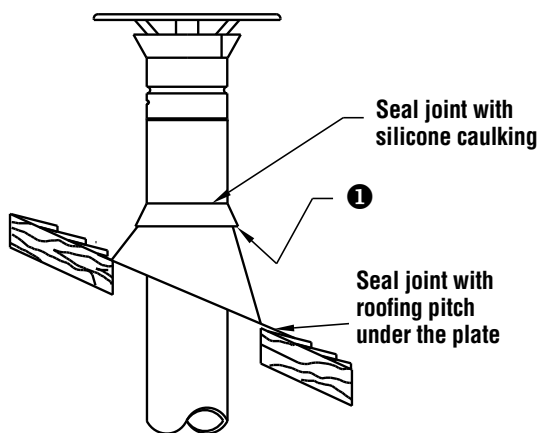


Figure 6



1 ALWAYS LEAVE A 1/2" (13MM) AIR GAP BETWEEN THE TOP OF FLASHING AND THE COLLAR

Figure 7

HORIZONTAL INSTALLATION

1. Cut and frame a round hole in the wall, where the vent will pass through. Refer to Framing Dimension table on *page 3*.
2. Install the insulated wall thimble.

Warning: the wall thimble interior and exterior sleeves must always overlap at least 1" when going through a combustible wall.
3. Seal the joint between the wall thimble and the outside wall with silicone caulking (see *figure 8a*).
4. Connect the pipe adaptor to the back of the stove and attach sufficient pipe to penetrate wall thimble and extend at least 1-1/2" beyond the exterior wall.
5. Fit the cap on the SPX vent and secure it tightly in place by twist locking it (1/3 turn).

NOTE: When using an horizontal jet cap or the swivel 45° Horizontal cap, always leave a 38" min. distance between the exhaust of the cap and any combustible and always put the outlet not less than 7ft (2,1m) above grade when located adjacent to a public walkways (see *figure 8b*). The swivel 45° horizontal cap must be pointed downward (see *figure 3*).

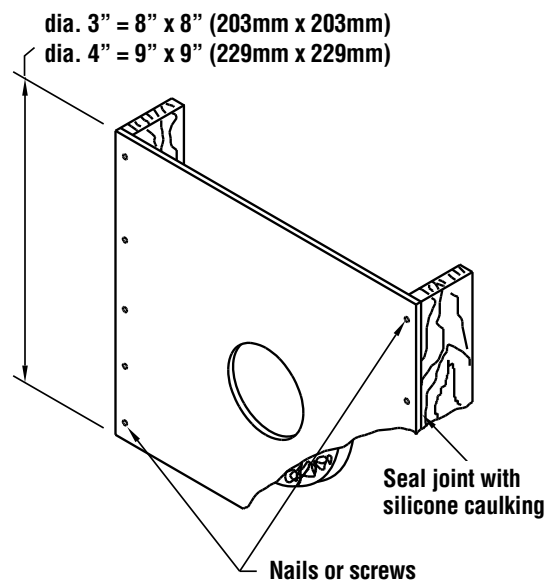


Figure 8a

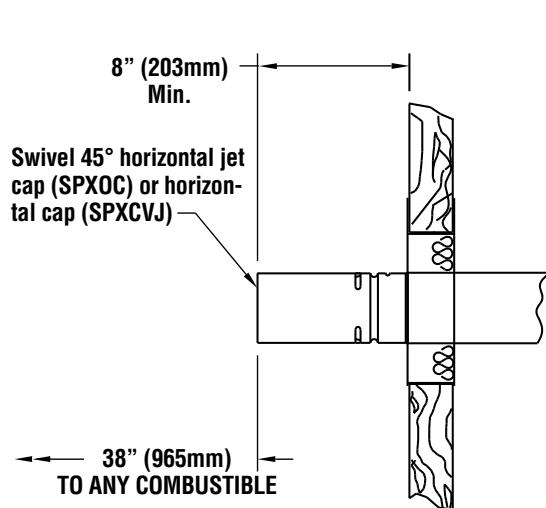


Figure 8b

VERTICAL EXTERIOR INSTALLATION

1. Locate your appliance according to manufacturers instruction.
2. Cut and frame a round hole in the wall, where the vent will pass through.
3. Install the insulated wall thimble.

Warning: the wall thimble interior and exterior sleeves must always overlap at least 1" when going through a combustible wall.
4. Seal the joint between the wall thimble and the outside wall with silicone caulking (see **figure 9**).
5. Connect the pipe adaptor to the back of the stove and attach sufficient pipe to penetrate the wall thimble and extend beyond the exterior wall.
6. Attach regular tee or horizontal clean out tee and proceed up to the wall being careful to leave a 1" (25mm) minimum air space between the wall and the pipe.

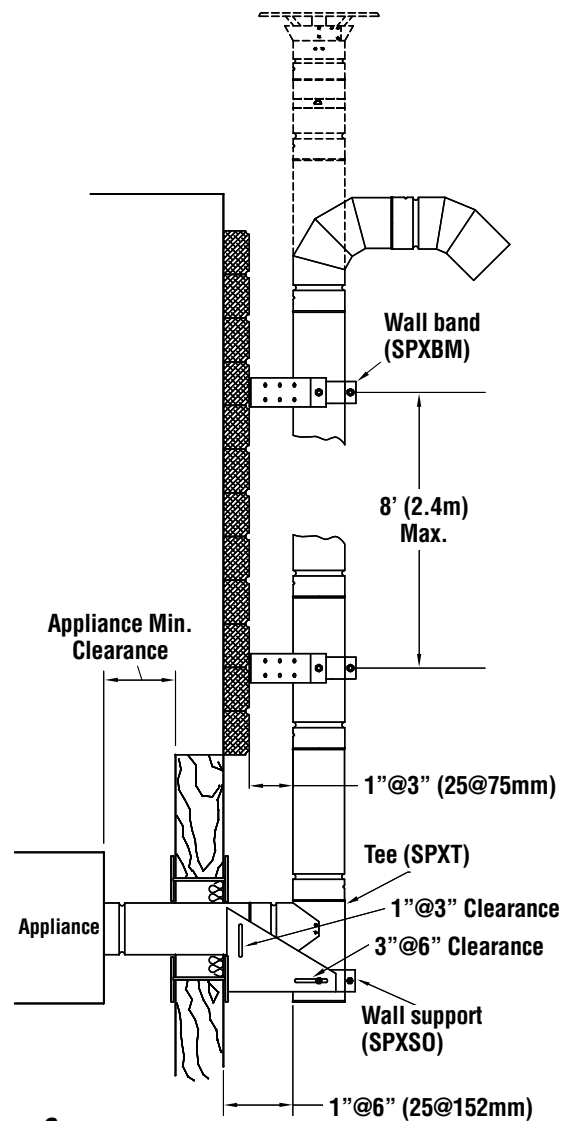


Figure 9

7. Attach a tee support below the tee (see **figure 9**). Every 8 ft (2,4m) min. attach a wall band to the pipe and fasten the band legs to the wall using 2-1/2" spiral nails or #8 x 1-1/2" screws. **Note: The wall support is designed to be adjustable in two steps from 1" to 3" and 3" to 6" to accommodate thick siding material. Change the orientation of the supports plates to change clearance step. Keep the clearance to the minimum possible because the wall band is adjustable from 1" to 3".**
8. Fit the rain cap on and secure it tightly in place by twist locking it (1/3 turn).
- 8.1 ALTERNATE Install a 90° elbow and the jet cap or the swivel 45° jet cap. Make sure your installation is safe and follow the rules of the Locating Your Appliance section.

SPECIAL SECTION

SPX vent to Type A, 6", 7" or 8" chimney

1. You may connect your SPX-vent to an existing 6", 7" or 8" dia. Type A chimney (see **figure 10**).
2. Remove any existing connector pipe, adaptor or connector going into the ceiling support.
3. Have a qualified sweep inspect the chimney for cleanliness and structural integrity. All soot and creosote must be removed from existing chimney system. Make sure the clearance to combustibles is respected.
4. Slide the adaptor over the flue of chimney. Drill four holes aligned with the adaptor holes. Use the four rivets supplied, and secure the pipes together.
5. Connect the chimney adaptor to the appliance using the lengths required and an adjustable pipe length if required. To secure the adjustable pipe length, drill 1/8" diameter hole through the OUTER SLEEVE only in the hole located at the bottom of the adjustable pipe. Use one 3/8" length metal screw, and tighten the installation.

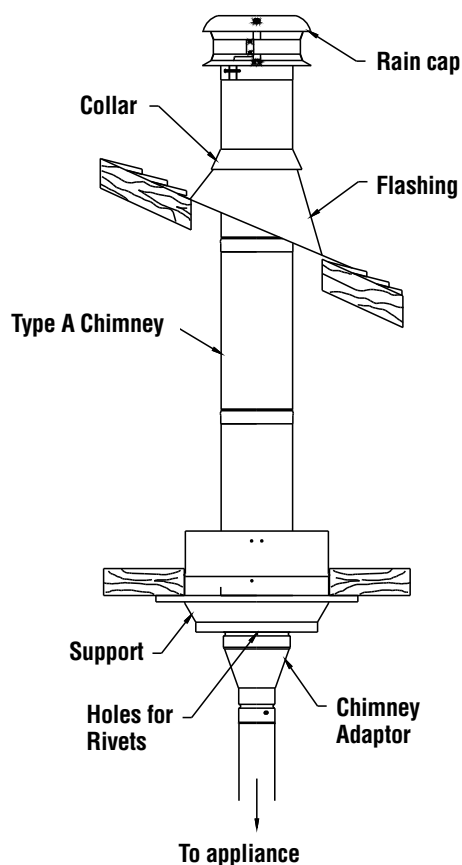


Figure 10

MASONRY INSTALLATION

1. Have your masonry chimney inspected by a qualified sweep or installer to determine its condition.
2. Determine the length of rigid sections needed (subtract 1-1/2" [38mm] per joint). Note that the flexible pipe is 5' 3" (160cm) long.
3. Install the support plate on top of the masonry chimney with masonry anchor bolts.
4. Assemble the first rigid pipe section to the flex pipe. Lowering the assembly in the chimney, connect the remaining sections until the desired length is reached.

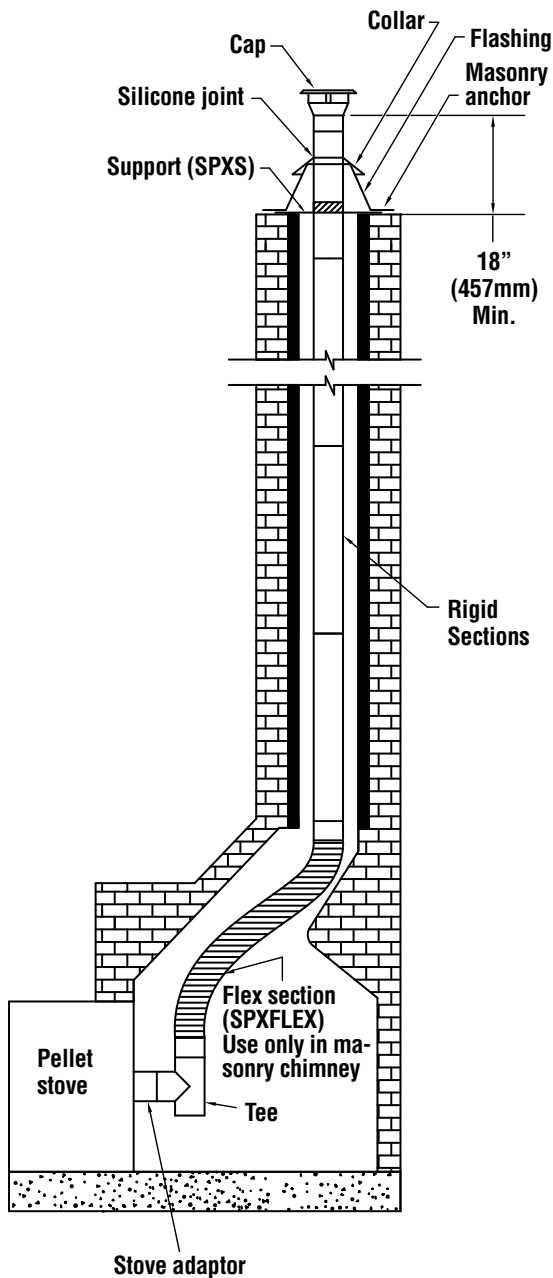


Figure 11

Screws are not required for a firm lock, however should it be desired to use them, use stainless steel sheet metal screws 1/4" long, being careful not to penetrate the inner liner. **NOTE:** The flex section can only be used in masonry chimney.

5. Tighten the ceiling support collar to the last section being careful to leave the 18" (457mm) min. distance between the cap and top of the masonry chimney.
6. Connect the flex pipe to the stove.

WALL THIMBLE WITH AIR INTAKE

This option allows an easy installation of an outside air intake when making any through the wall installation. No need to make a second wall opening as it is included in the wall thimble.

There are four possible positions of air intake. It can be positioned over, under, left or right of the exhaust pipe. The ideal position depends on your installation. However, you must always install the outside air intake cover with the opening facing down to prevent rain from entering. See **figures 12 and 13**.

1. Determine the orientation of the wall thimble with air intake depending on your installation.
2. Screw the air intake cover on the outside plate using the three screws provided. Make sure the opening is facing down. Seal the joint between the cover and the plate with silicone. See **figures 12 and 13**.
3. Cut and frame an opening in the wall. See the framing dimension table on **page 3**.

Warning : The center of the opening must be offsetted by 1-1/2 inches from the center of the pipe towards the position planned for the air intake. See **figures 14a and 14b**.

4. Install the wall thimble.
Warning: the wall thimble interior and exterior sleeves must always overlap at least 1".
5. Seal the joint between the wall thimble and the outside wall with silicone caulking. See **figure 8a**.
6. Secure the flex pipe to the adaptor on the decorative plate of the wall thimble using a collar. See **figure 15**.
7. Route the flex to the combustion air inlet of the appliance. Trim excess flex to required length with snips and secure it to the appliance using the other collar.
8. Proceed with the exhaust pipe installation.

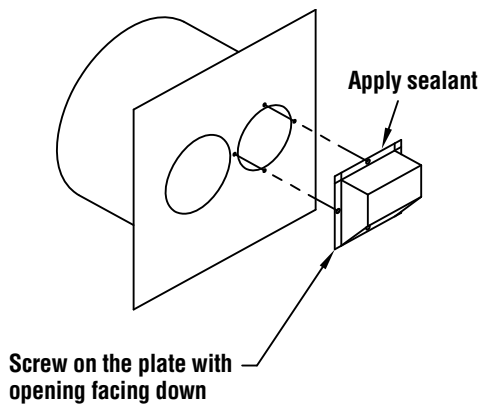


Figure 12

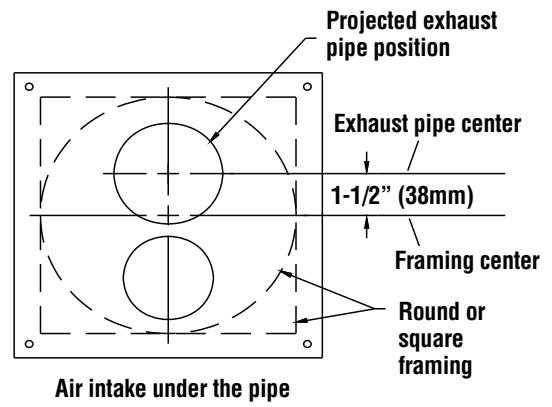


Figure 14a

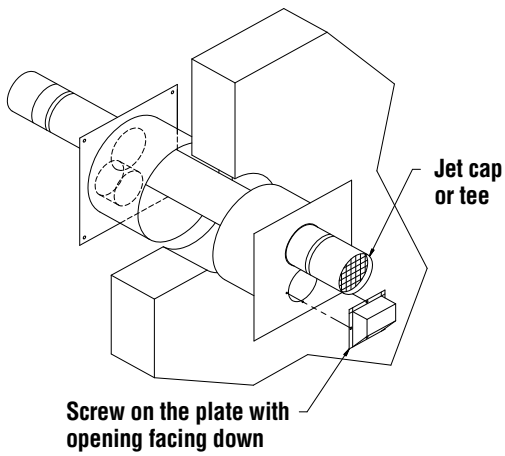


Figure 13

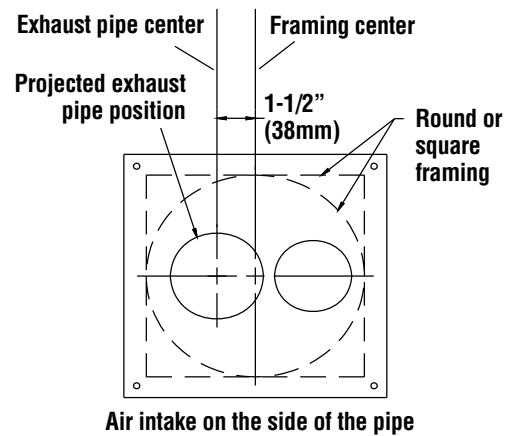


Figure 14b

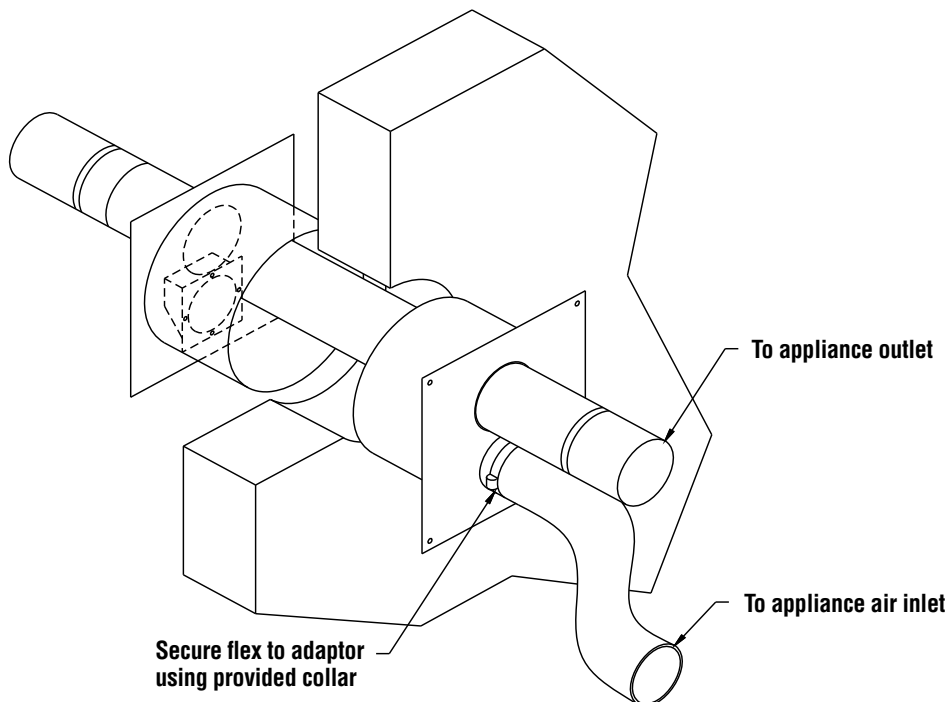


Figure 15

SECURITY CHIMNEYS INTERNATIONAL, LTD. RESIDENTIAL CHIMNEY & VENTING PRODUCT LIMITED LIFETIME WARRANTY

THE WARRANTY

This Security Chimneys International, Ltd. (SCIL) Limited Lifetime Warranty warrants your residential vent and/or chimney system to be free from defects in material and workmanship at the time of manufacture. This Limited Lifetime Warranty includes all components and fittings, except termination caps. After installation, if covered components manufactured by SCIL are found to be defective in materials or workmanship during the Limited Lifetime Warranty period and while the Product remains at the site of the original installation, SCIL will, at its option, replace the covered components. SCIL reserves the right to replace covered components with an equivalent product and the replacement must be carried out in accordance with SCIL's recommendations. If replacement is not commercially practical, SCIL will, at its option, refund the purchase price or wholesale price of the SCIL product, whichever is applicable. Labor to replace SCIL components is not included. THERE ARE EXCLUSIONS AND LIMITATIONS to this Limited Lifetime Warranty as described herein.

COVERAGE COMMENCEMENT DATE

Warranty coverage begins on the date of installation. In the case of new home construction, warranty coverage begins on the date of first occupancy of the dwelling or six months after the sale of the Product by an independent SCIL dealer/distributor, whichever occurs earlier. The warranty shall commence no later than 24 months following the date of product shipment from SCIL, regardless of the installation or occupancy date.

EXCLUSIONS AND LIMITATIONS

This Limited Lifetime Warranty applies only if the Product is installed in the United States or Canada and only if used for the application for which it was designed and intended. The Product must be maintained in accordance with the printed instructions accompanying the Product and in compliance with all applicable installation and building codes and good trade practices.

This warranty is non-transferable and extends to the original owner only. The Product must be purchased through a listed supplier of SCIL and proof of purchase must be provided. SCIL will be responsible for the replacement of the residential vent and/or chimney system considered to be defective for the following periods:

Termination Caps – Replacement at no charge for 5 years from the date of installation, excluding labor

Components and fittings (excludes termination caps and labor)

Year 1-10 – Replacement of all components and fittings.

Year 11-15 – Replacement at 75% off of the prevailing list price in effect at the time of replacement (25% of the retail list price paid by the consumer).

Year 16 + – Replacement at 50% off of the prevailing list price in effect at the time of replacement (50% of the retail list price paid by the consumer).

SCIL will not be responsible for: (a) damages caused by normal wear and tear, corrosion from salt air, accident, riot, fire, flood or acts of God; (b) damages caused by abuse, negligence, misuse, or unauthorized alteration or repair of the Product affecting its stability or performance. (The Product must be subject to normal use with approved fuels listed in the Operation Manual provided with the product. Where applicable, fuel products with abnormal burning characteristics, including but not limited to fuel such as driftwood, plywood and wood products using a binder may burn at excessive temperatures and may cause damage to the Product or may cause it to function improperly; (c) damages caused by failing to provide proper maintenance and service in accordance with the instructions provided with the Product; (d) damages, repairs or inefficiency resulting from faulty installation or application of the Product.

This Limited Lifetime Warranty covers only parts as provided herein. SCIL's entire liability is limited to the purchase price of this product. In no case shall SCIL be responsible for materials, components or construction which are not manufactured or supplied by SCIL or for the labor necessary to install, repair or remove such materials, components or construction. Additional utility bills incurred due to any malfunction or defect in equipment are not covered by this Limited Lifetime Warranty. All replacement or repair components will be shipped F.O.B. from the nearest stocking SCIL factory.

LIMITATION ON LIABILITY

It is expressly agreed and understood that SCIL's sole obligation and the purchaser's exclusive remedy under this warranty, under any other warranty, expressed or implied, or in contract, tort or otherwise, shall be limited to replacement, repair, or refund, as specified herein.

In no event shall SCIL be liable for any incidental or consequential damages caused by defects in the Product, whether such damage occurs or is discovered before or after replacement or repair, and whether such damage is caused by SCIL's negligence. SCIL has not made and does not make any representation or warranty of fitness for a particular use or purpose, and there is no implied condition of fitness for a particular use or purpose. SCIL makes no expressed warranties except as stated in this Limited Lifetime Warranty. The duration of any implied warranty is limited to the duration of this expressed warranty.

No one is authorized to change this Limited Lifetime Warranty or to create for SCIL any other obligation or liability in connection with the Product. Some states and provinces do not allow the exclusion or limitation of incidental or consequential damages, so the above limitations or exclusions may not apply to you. The provisions of this Limited Lifetime Warranty are in addition to and not a modification of or subtraction from any statutory warranties and other rights and remedies provided by law.

INVESTIGATION OF CLAIMS AGAINST WARRANTY

SCIL reserves the right to investigate any and all claims against this Limited Lifetime Warranty and to decide, in its sole discretion, upon the method of settlement.

To receive the benefits and advantages described in this Limited Lifetime Warranty, the appliance must be installed and repaired by a licensed contractor approved by SCIL. Contact SCIL at the address provided herein to obtain a listing of approved dealers/distributors. SCIL shall in no event be responsible for any warranty work done by a contractor that is not approved without first obtaining SCIL's prior written consent.

HOW TO REGISTER A CLAIM AGAINST WARRANTY

In order for any claim under this warranty to be valid, you must contact the SCIL dealer/distributor from which you purchased the product. If you cannot locate the dealer/distributor, then you must notify SCIL in writing. SCIL must be notified of the claimed defect in writing within 90 days of the date of failure. Notices should be directed to the SCIL Warranty Department at 2125 Monterey Street, Laval, QC H7L 3T6.

Security Chimneys International Limited reserves the right to make changes at any time, without notice, in design, materials, specifications, prices. Consult your local distributor for chimney system code information.